

压力开关
Pressure switches



EUROSWITCH

注意事项
Notes



压力开关

Pressure switches

6	认证 <i>Certifications</i>
8	简介 <i>Introduction</i>
11	代码阅读图例 <i>Sample code reading</i>
12	隔膜/密封材料的选择 <i>Guide to selecting the diaphragm/seal</i>
13	电缆与固定型号连接器的连接 <i>Wiring harness versions with connector on request</i>
14	保护盖和连接器 <i>Protection cap and connectors</i>
15	内置连接器 <i>Integrated connectors</i>
16	23 制动开关 <i>Brake switch</i>
17	24 单刀双掷（SPDT）触点压力开关 <i>Pressure switch with SPDT contacts</i>
18	24 C 单刀双掷（SPDT）触点压力开关 <i>Pressure switch with SPDT contacts</i>
19	24 F 单刀双掷（SPDT）触点压力开关 - 内螺纹 <i>Pressure switch with SPDT contacts - female thread</i>
20	25 R 小型压力开关 <i>Small pressure switch</i>
21	26 R 小型压力开关 <i>Small pressure switch</i>
22	26 固定设置压力开关 <i>Fixed setting pressure switch</i>
23	266 固定设置压力开关 <i>Fixed setting pressure switch</i>
24	27 膜片式压力开关 - 可调磁滞 - 单刀双掷SPDT接触 <i>Diaphragm pressure switch - adjustable hysteresis - SPDT contacts</i>
25	28 活塞式压力开关 - 可调磁滞 - 单刀双掷SPDT接触 <i>Piston pressure switch - adjustable hysteresis SPDT contacts</i>

压力开关

Pressure switches

- 26 **30**
活塞式压力开关 ≤ 250V
Piston pressure switch ≤ 250V
- 27 **31**
膜片式压力开关 ≤ 250V
Diaphragm pressure switch ≤ 250V
- 28 **40**
活塞式压力开关 ≤ 48V
Piston pressure switch ≤ 48V
- 29 **41**
膜片式压力开关 ≤ 48V
Diaphragm pressure switch ≤ 48V
- 30 **41V**
膜片式压力开关，螺旋旋接端子
Diaphragm pressure switch, screw terminals
- 31 **41B 41C**
高压膜片式压力开关 - 压力极限600巴
Diaphragm pressure switch - over pressure limit 600 bar
- 32 **42**
膜片式压力开关 ≤ 48V - 内螺纹
Diaphragm pressure switch ≤ 48V female thread
- 33 **46**
低压活塞式压力开关 - 单刀双掷SPDT接触
Piston pressure switch for low pressure - SPDT contacts
- 34 **48**
活塞式压力开关 - 单刀双掷SPDT接触
Piston pressure switch with SPDT contacts
- 35 **49**
膜片式压力开关 - 单刀双掷SPDT接触
Diaphragm pressure switch with SPDT contacts
- 36 **681**
压力开关带可视设置尺度
Pressure switch with setting visual scale
- 37 **682**
压力开关带可视设置尺度
Pressure switch with setting visual scale
- 38 **691**
活塞压力开关带可调节旋钮
Piston pressure switch with adjusting knob
- 39 **692**
活塞压力开关带可调节旋钮
Piston pressure switch with adjusting knob
- 40 **34**
固定设置真空开关 ≤ 48V
Fixed setting vacuum switch ≤ 48V

压力开关

Pressure switches

- 41 **35**
真空开关 ≤ 48V
Vacuum switch ≤ 48V
- 42 **37**
真空开关 ≤ 250V
Vacuum switch ≤ 250V
- 43 **38**
膜片式真空开关 - 单刀双掷SPDT接触
Diaphragm vacuum switch - SPDT contacts
- 44 堵塞指示器
Differential clogging indicators
- 45 **80**
电子压差堵塞指示器
Electrical differential pressure clogging indicator
- 46 **81**
电子压差堵塞指示器
Electrical differential pressure clogging indicator
- 47 **82**
带旋转系统的电子压差堵塞指示器
Electrical differential pressure clogging indicator with rotating system
- 48 **86**
可视压差堵塞指示器
Optical differential pressure clogging indicator
- 49 **700**
温度压力开关
Thermo-pressure switch

认证 Certifications



质量管理体系认证 UNI EN ISO 9001-2008 (ISO9001-2008)
Quality Management System UNI EN ISO 9001-2008 (ISO 9001-2008)



质量管理体系认证 UNI EN ISO 14001-2004 (ISO 14001-2004)
Quality Management System UNI EN ISO 14001-2004 (ISO 14001-2004)



VDE 认证
VDE Certification



ATEX 认证
ATEX Certification



EUROSWITCH

简介

Introduction

简介

在工业和汽车领域，通常会为设备设定某压力值，当达到该压力值时系统将发出电子信号，使机械设备开始工作或者发出提示（如设备发生泄露、发出警报等）。这种操作可以通过一种名为压力开关的压力传感器进行控制。

主要有三种类型：

- 双向常开（NO）电触点（单刀单掷SPST）
- 双向常闭（NC）电触点（单刀单掷SPST）
- 三路转换电触点（单刀双掷SPDT）

开关的校准可通过一组螺钉的旋转使弹簧压力发生改变，以规定其负载。该弹簧结构通过分隔元件（隔膜或活塞）上的液体流量发生改变，使电触点在达到预定压力值时关闭（或打开）。

- 图1所显示的是在常开（NO）状态时，电触点属于打开状态，因此不存在压力的情况下未有电流流动。达到预定的压力值时，开关会自动关闭。

- 图2所显示的是在未有压力的情况下，开关属于常闭（NC）状态，并且信号出现在外部接触点上。达到预定的压力值时，电触点会上升并中断信号。

- 图3所显示的是在转换电触点（单刀双掷SPDT）的情况下，液体流量给分隔元件（隔膜或活塞）造成的压力将转移到一个微型开关上。在该型号中，可分开或同时使用常开和常闭电触。

Introduction

The management of technological processes in any field of activity, such as in the manufacturing or automotive industry, requires control of the pressure of the fluids that operate the system. This requires associating a particular pressure value, which is important for the system, to an electrical signal, for instance to run a machine cycle or indicate a particular situation (leaks, alarms, etc.). These operations can be controlled using a kind of pressure sensor, called a pressure switch, that is set to suit the particular application.

From an electrical point of view, there three main types:

- with two-way normally-open (NO) electrical contacts (SPST)
- with two-way normally-closed (NC) electrical contacts (SPST)
- with three-way changeover electrical contacts (SPDT)

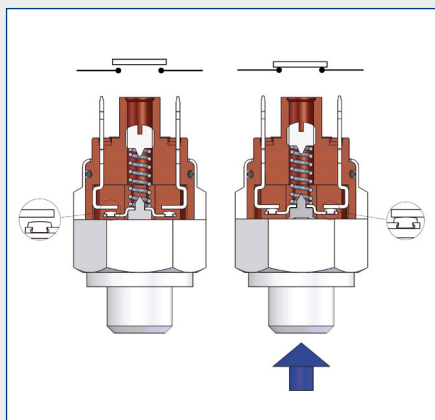
A switch can be calibrated using a set screw which, by acting on a calibration spring, determines its load. The spring opposes the thrust of the pressure exercised by the fluid on the sensitive element (a membrane or piston), allowing the electrical contact to close or open only when the pressure setting is reached.

- In the NORMALLY OPEN (NO) version on Fig. 1, the contact is open, i.e. there is no flow of current in the absence of pressure. When the pressure setting is reached, the electrical contact closes.

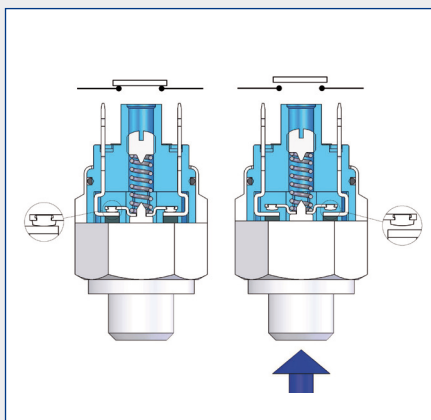
- The diagram of Fig. 2 shows a pressure switch with NORMALLY CLOSED (NC) contacts in the absence of pressure. We can see that the contacts are closed and the signal is present on the external contacts. When the pressure setting is reached, the electrical contact rises and interrupts the signal.

- In the SWITCHING CONTACTS (SPDT) of Fig. 3 version, the pressure of the fluid on the separating element (diaphragm or piston) causes a microswitch to switch.

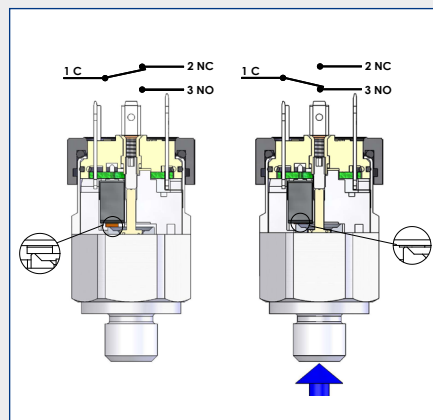
Either NC or NO contacts, or both, can be used in this version.



图Fig.1:
(非约束性举例N.O.触点)
(non-binding example - N.O. contact)



图Fig.2:
(非约束性举例N.C.触点)
(non-binding example - N.C. Contact)



图Fig.3:
SPDT交换触点
Switching contacts (SPDT)

设置

我司提供固定压力或可调节压力开关。对可调节型压力开关调节压力时，应避免完全压缩弹簧。顺时针旋转以增加压力。设定完成后，应使用胶合剂固定螺钉。工厂可根据客户的要求设定压力值，该值表示压力上升时的触发点。特殊要求时也可将压力开关的触发点设置成压力下降时触发。

开关的校准应在最小的触点电负载情况下进行。

安全压力和超压

Euroswitch公司保证在该压力极限和时间内，压力传感器不会出现结构性失效，进而导致人身伤害，或者损坏连接到传感器上的设备。

最大工作压力

这是传感器能够承受的最大恒定或脉动型压力，并不会导致机电式损伤，且保持原始技术指标。

电力负荷

触点的电气指数以每个系列的压力开关参数为准。我司技术部门可帮助客户了解各种细节。在使用单刀单掷SPST触点的情况下，如压力变动比较缓慢，建议不要使用接近触点电力负荷极限的电压。在这种情况下建议在压力开关和电压之间安装一个中断器。

在使用单刀双掷SPDT触点的情况下，微型开关的正确工作速度范围为0.1毫米/秒至1米/秒之间。

安装

建议将压力开关纵向安装并将电气连接设在上方以避免颗粒元素在设备内部的堆积。

冲撞和震动

压力开关的触点可能会在遭遇异常冲撞或强烈震动时被损坏。

保护盖和连接器

所有产品可使用保护盖和连接器进行保护。根据产品的不同，保护级别为IP54或IP65（特殊系列为IP67）。

特殊设置

根据要求，公司可制造特殊压力开关（如：已校准、不锈钢体、脱脂以适合氧气作业等）；如有任何要求请随时与我司技术与销售部门人员联系，他们将根据您的情况建议最适合的产品。

Settings

Euroswitch makes fixed and adjustable pressure switches. In adjustable pressure switches, turn the regulation nut to set the pressure to the desired value, taking care not to compress the spring fully. Rotate clockwise to increase the pressure. After setting, lock the screw using a gluing agent. Adjustable pressure switches can be factory-set to the pressure required by the customer. This value indicates the point of intervention for increasing pressure. On specific request, pressure switches can be supplied with calibration for decreasing pressure. Calibration is performed under the minimum electric load in the contact circuit.

Safety pressure or overpressure

This is the maximum constant pressure at which Euroswitch guarantees that the pressure sensor, for a given time, does not undergo structural failure, which could cause injury or damage things connected to the sensor.

Maximum operating pressure

This is the maximum constant or pulsating pressure to which the sensor can be subjected without suffering any type of electro-mechanical damage, while maintaining the original specifications.

Electrical load

The electrical characteristics of the contacts are detailed under each series of pressure switches. Our Technical Department can help customers who have any doubts or queries. In the event of a slow pressure variation in pressure switches with SPST contacts, it is advisable not to pilot electrical loads with characteristics close to the current limits of the contacts. In such a case, it is preferable to put a relay between the pressure switch and the load. In pressure switches with SPDT contacts, correct operation of the microswitch requires an operating speed in the range 0.1 mm/sec to 1 m/sec.

Assembly

It is advisable to assemble the pressure switch vertically, with the electrical connection facing upwards, in order to prevent foreign particles from accumulating inside the body.

Impact and vibration

The pressure switch contact may get damaged if subjected to impact (e.g. if dropped) or strong vibration.

Caps and connectors

All our pressure switches can be protected by caps and connectors. The protection degree can be IP54 or IP65, depending on the model.

Special configurations

Euroswitch also manufactures special pressure switches, such as pre-wired, with a stainless steel case, or degreased for use with oxygen. Whatever your requirements, feel free to contact our design and sales office staff, who will be able to suggest the most suitable product to meet your requirements.

简介

Introduction

CE标志

我司的产品根据欧洲现有的规定进行设计，CE标志的粘贴根据以下标准进行分类：

- a) 使用50-1000V AC和75-1500V DC的产品
符合以下规定：
- EC 2006/95 (DBT - 低电压规定) 和EN 60730-1及其规定的第二部分。
 - EC 2004/108 (EMC电磁兼容规定) 和EN 60730-1及其规定第二部分。
- b) 使用50V AC和75V DC的产品
符合以下规定：
- EC 2004/108 (EMC电磁兼容规定) 和EN 60730-1规定及其第二部分。
- 可在我司查看针对上述规定的符合性申明。

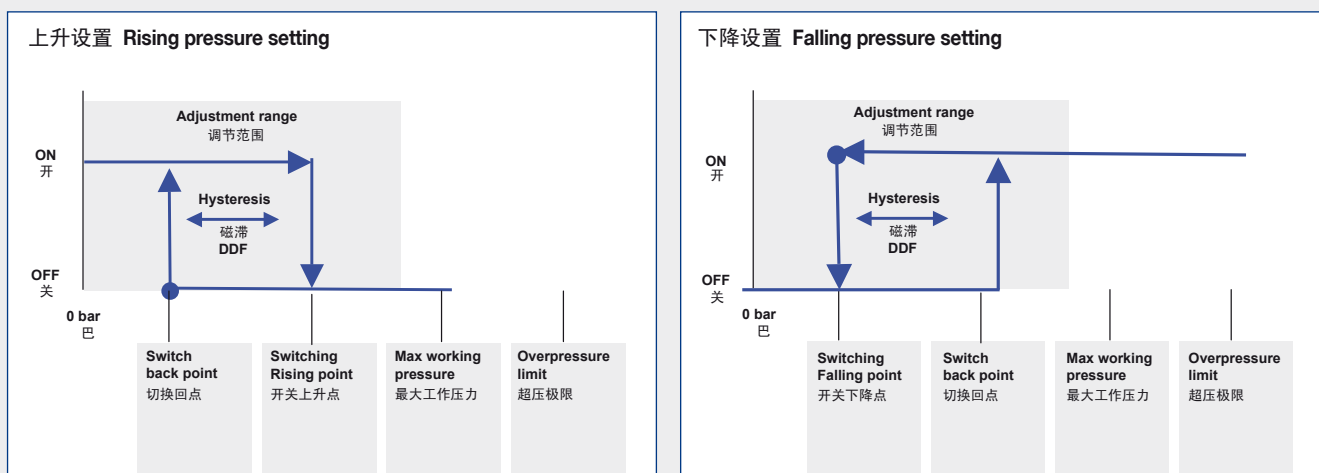
CE Marking

Our products have been designed in compliance with the applicable EC Directives and Regulations and bear the CE mark based on the following classification:

- a) Electrical devices and apparatus used at a mains voltage of 50-1000V AC and 75-1500V DC.
They comply with the following directives:
- EC 2006/95 (DBT - Low-Voltage Directive) and EN 60730-1 and relevant parts II;
 - EC 2004/108 (EMC-Electro-Magnetic Compatibility Directive) and EN 60730-1 standards and relevant parts II;
- b) Electrical devices and apparatus used at 50V AC and 75V DC.
They comply with the following directives:
- EC 2004/108 (EMC - Electro-Magnetic Compatibility Directive) and EN 60730-1 standards and relevant parts II.

The Declarations of Conformity prescribed by the above Directives are available at our premises.

磁滞图 / Hysteresis diagram



压力单位换算表 / Conversion table for pressure units

单位简称 unit abbr.	计算单位 unit	Pa = N/m ²	bar	Torr	lbf/in ² , PSI
1 Pa = N/m ²	帕斯卡 Pascal	1	0.00001	0.0075	0.00014
1 bar	巴 Bar	100.000	1	750.062	14.5
1 Torr = 1 mm Hg	毫米汞柱 mmHg	133.322	0.00133	1	0.01934
1 lbf/in ² = 1 PSI	每平方英寸磅力 lbf/in ²	6894	0.06894	51.71	1

温度单位换算表 / Conversion table for temperature units

	K	摄氏度 °C	华氏度 F
K	1	K-273.15	9/5 K-459.67
摄氏度 °C	°C + 273.15	1	9/5 °C + 32
华氏度 F	5/9 (F + 459.67)	5/9 (F-32)	1

代码阅读图例

Sample code reading

代码 - Part Number										设置范围 Setting range bar	20°C公差 Tolerance at 20°C bar														
镀锌钢体 Zinc plated steel case					黄铜体 brass case																				
电触点 - electrical contact					电触点 - electrical contact					300 bar	80 bar	最大静压 - Max static pressure													
常开 norm. open		常闭 norm. closed			常开 norm. open		常闭 norm. closed																		
41	1	0	●	■	0	41	2	0	●	■	0	41	1	1	●	■	0	41	2	1	●	■	0	0.1 - 1	± 0.1
41	1	0	●	■	1	41	2	0	●	■	1	41	1	1	●	■	1	41	2	1	●	■	1	1 - 5	± 0.3
41	1	0	●	■	2	41	2	0	●	■	2	41	1	1	●	■	2	41	2	1	●	■	2	1 - 10	± 0.5
41	1	0	●	■	3	41	2	0	●	■	3	41	1	1	●	■	3	41	2	1	●	■	3	10 - 20	± 1.0
41	1	0	●	■	4	41	2	0	●	■	4													20 - 50	± 2.0
										300 bar		80 bar		最大静压 - Max static pressure											
● 螺纹 (X3)		Threads (X3)		L1 L2 (mm)		■ 隔膜 (参见12页)		Diaphragms (see page 12)																	
1 1/8" GAS锥螺纹		1 1/8" GAS conical		10 51		1 NBR		1 NBR																	
2 1/4" GAS锥螺纹		2 1/4" GAS conical		12 53																					

设置范围 / setting range

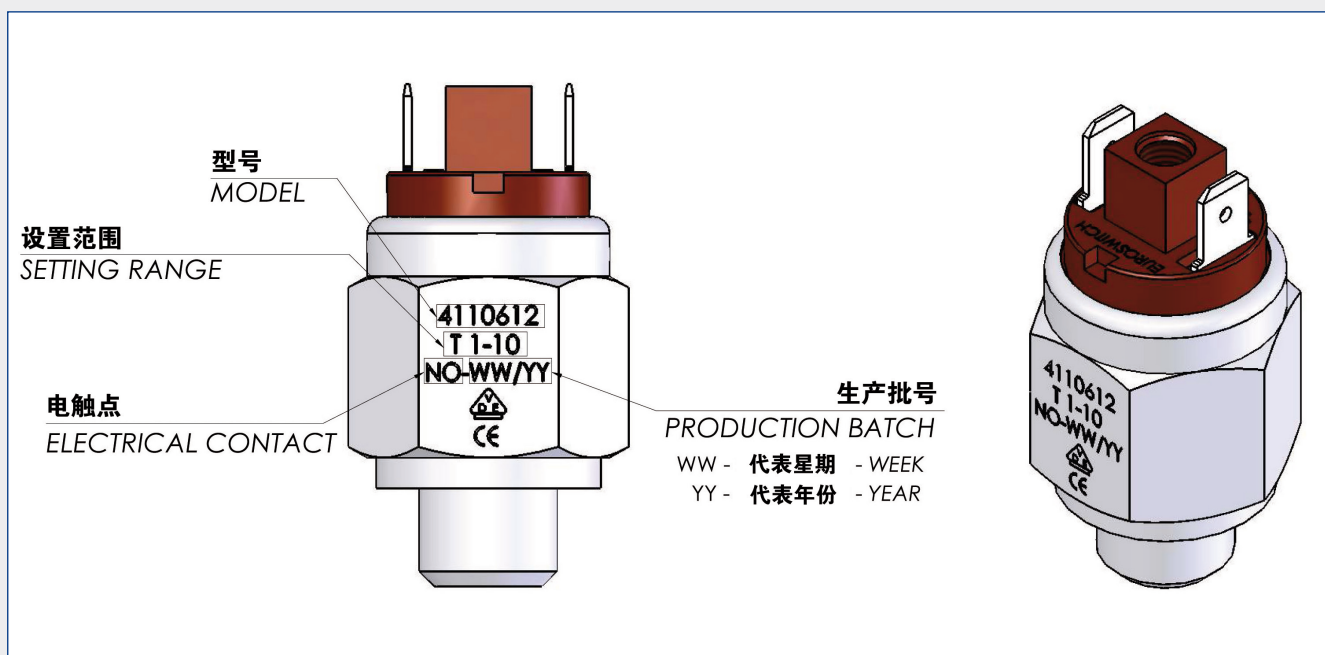
插入隔膜代码, 见12页 / insert diaphragm code, see page 12

插入螺纹代码 / insert thread code

机体材料 / case material

电触点 / electrical contact

型号 / model



隔膜/密封材料的选择

Guide to selecting the diaphragm/seal

隔膜/密封材料代码 - Diaphragm/seal material code

根据 ASTM-D 1418/94 分类 - According to ASTM-D 1418/94		
1	NBR	共聚物丁二烯丙烯腈 - copolymer butadiene acrylonitrile
2	FKM - VITON®	氟橡胶聚 - fluoro rubber of the polymethylene
3	EPDM CH	三元共聚物, 乙烯丙烯 - terpolymer ethylene propylene
4	CR - NEOPRENE	聚合物氯丁 - polymer chloroprene
5	MVQ	硅胶 - silicon
6	HNBR	丁二烯 - 丙烯腈共聚物 - copolymer butadiene acrylonitrile Hydrogenated

根据不同液体选择隔膜/密封材料参照表

Table for selecting the diaphragm/seal material according to the operating fluid to be controlled and the temperature.

	NBR	FKM	EPDM CH	CR	MVQ	HNBR
强碱 - alkali	无 - no	无 - no	•	无 - no	无 - no	无 - no
制动液 - brake liquid	无 - no	无 - no	•	无 - no	无 - no	无 - no
氨水 - ammonia	无 - no	无 - no	•	无 - no	无 - no	无 - no
水 - water	无 - no	•	•	•	•	•
空气 - air	•	•	•	•	•	•
矿物质液压油 - mineral hydraulic oil	•	•	无 - no	无 - no	无 - no	•
机油 - motor oil	•	•	无 - no	无 - no	无 - no	•
柴油 - diesel fuel	无 - no	•	无 - no	无 - no	无 - no	•
石脑油 - naphta	•	•	无 - no	无 - no	无 - no	•
汽油 - petrol	无 - no	•	无 - no	无 - no	无 - no	无 - no
碳氢化合物 - hydrocarbons	无 - no	•	无 - no	无 - no	无 - no	•
卤化溶剂 - halogenated solvent	无 - no	•	无 - no	无 - no	无 - no	无 - no
乙二醇 - ethylene glycol	•	无 - no	•	•	•	•
硅胶 - silicone	•	•	•	•	无 - no	无 - no
酮 - ketone	无 - no	无 - no	•	无 - no	无 - no	无 - no
最高工作温度 °C - max operating temperature °C	100	120	120	80	120	120
最低工作温度 °C - min operating temperature °C	-15	-10	-25	-20	-40	-30

本指南提供一般性指示。如需特殊指导，请联系我司设计部门。
The guide provides a general indication. For special applications, please contact our design office.

电缆与固定型号连接器的连接

Wiring harness versions with connector on request



树脂线束，可配备连接器

Wiring harness sealed by resin with connector on request

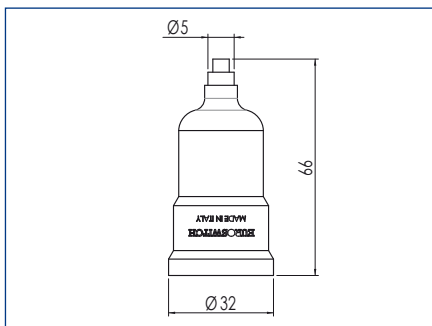
接口样

Available connections example



保护盖和连接器

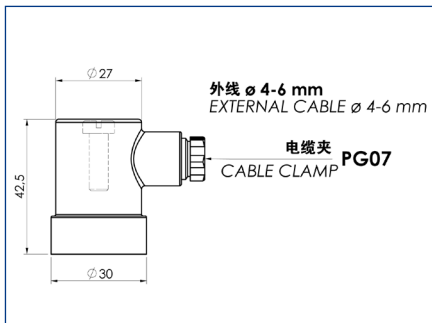
Protection cap and connectors



橡胶保护盖 Rubber protective cup

IP54 IP65
代码code: 3015001

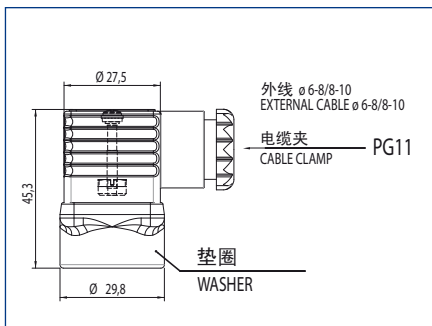
适配型号fit model: 21-30-31-32-35-37-40-41-41V
41BC-42-506



塑胶保护盖 Plastic protective cup

IP65
代码code: 3900001

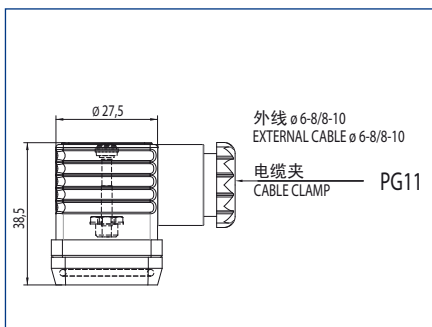
适配型号fit model: 21-30-31-32-35-37-40-41-41V
41BC-42-506



连接器 Protective connector

IP65
代码code: 3900003

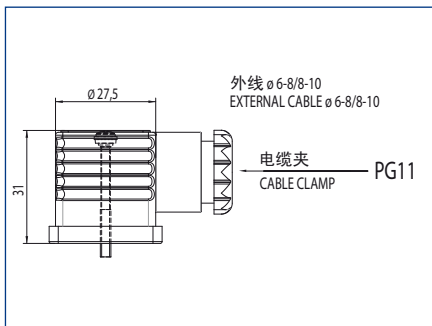
适配型号fit model: 27-28



连接器 Protective connector

IP65
代码code: 3900200

适配型号fit model: 30-31-32-35-37-40-41
41BC-42-506



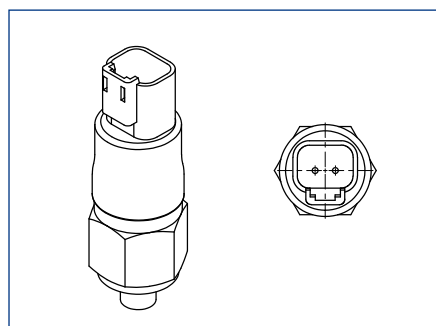
提示灯连接器 (红/绿) Protective connector with indicator light (Red/Green)

IP65
代码code: CNN084C002

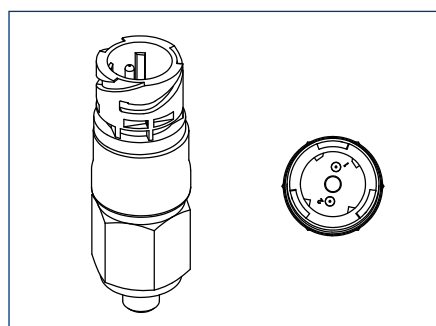
适配型号fit model: 24-24C 24F-38-46-48
49-81-691-692-507

内置连接器

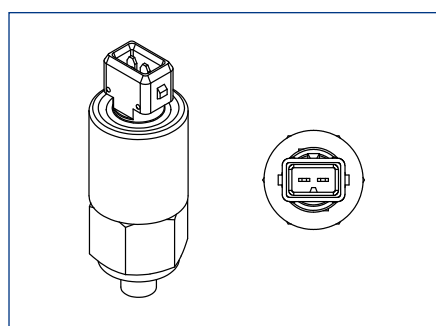
Integrated connectors



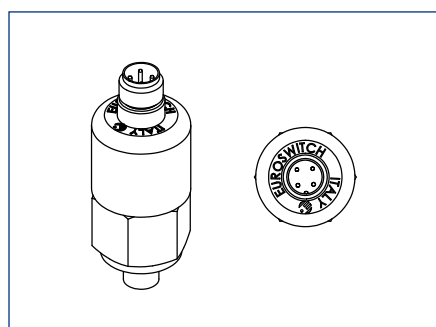
DT04-2P Deutsch连接器
Connector Deutsch DT04-2P



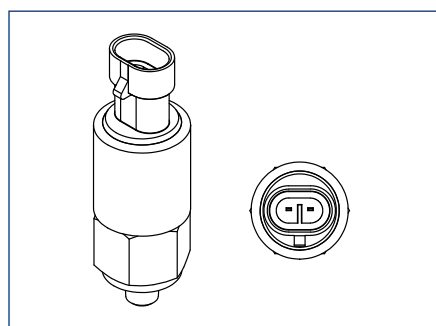
DIN72585 Bajonet连接器
Bajonet connector DIN72585



AMP式连接器
初级电源定时器
Connector type AMP
Junior power timer



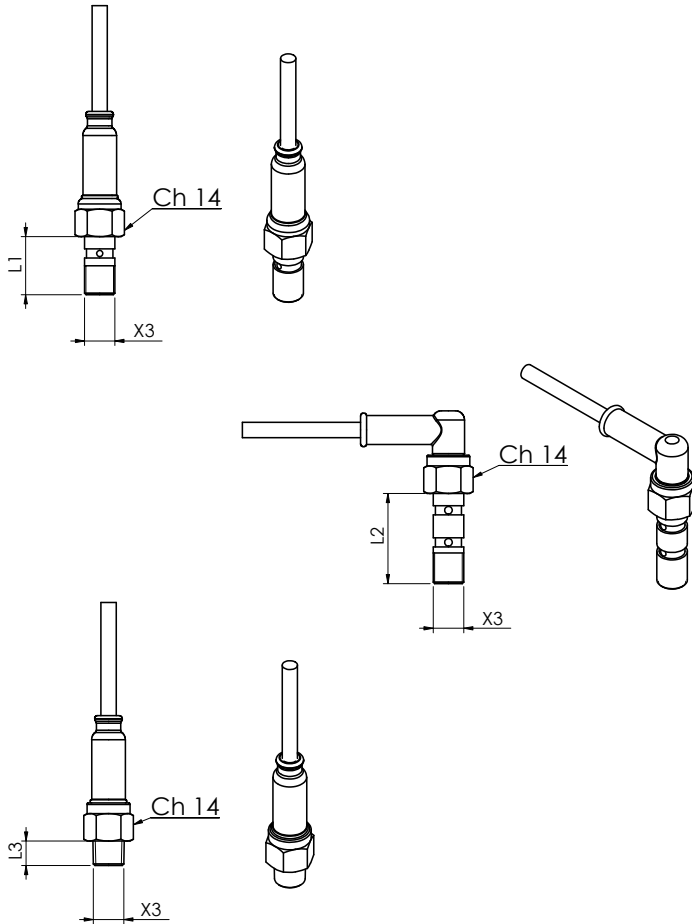
M12 x 1连接器
Connector type M12 x 1



2路AMP Superseal 1.5连接器
Connector AMP Superseal 1.5 2 way

23

制动开关 Brake switch



16

螺纹 (X3)	Threads (X3)	L1	L2	L3 (mm)
M8x1	M8x1	16.8	-	-
M10x1	M10x1	19	29.5	8
M10x1.25	M10x1.25	21	31.5	-
1/8" GAS锥螺纹	1/8" GAS conical	-	-	8
1/8" NPT	1/8" NPT	-	-	8
3/8"-24 UNF-2A	3/8"-24 UNF-2A	24	-	-
7/16"-24 UNS-2A	7/16"-24 UNS-2A	24	-	-

机体	镀锌钢 (可要求不锈钢)
电触点	镀银
电流状态	常开 (可要求常闭)
最大电压	24 Vcc
最大电流	21 (12 Vdc) VA
液体最高温度	80°C
超压极限	350 bar
启动条件	2.5 - 5.5 bar
启动模式	1B
外部污染情况	正常
隔膜	EPDM CH (制动液), NBR (液液压油)
电接口	根据要求

Case	Zinc plated steel (on request stainless steel)
Electric contact	Silver Plated
Contact	NO (on request N.C.)
Max switched voltage	24 Vcc
Resistive load	21 (12 Vdc)VA
Max fluid temperature	80°C
Overpressure limit	350 bar
Intervention point	2.5 - 5.5bar
Action type	1B
Pollution situation	normal
Diaphragm	EPDM CH (brake liquid), NBR (Idraulic oil)
Electrical connections	On request

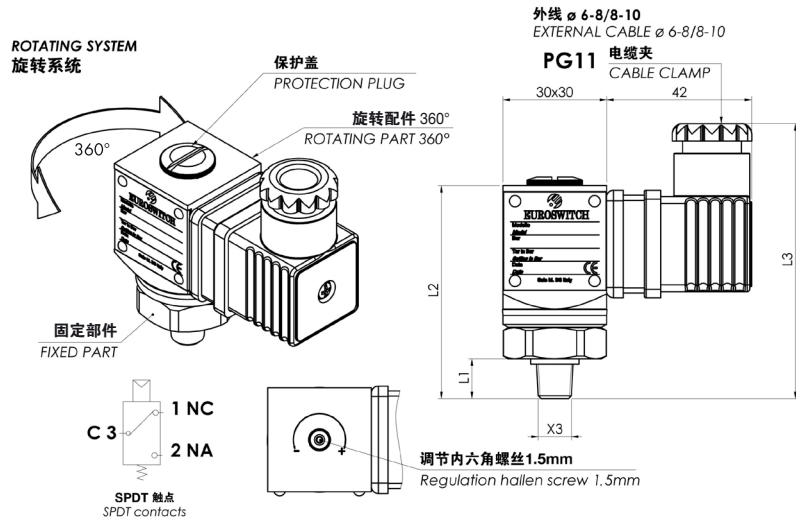
联系我们的客户服务以了解更多版本信息。

Please contact our Customer service for further information on the versions available.

请参考2012版《Euroswitch传感器目录》中的“总体说明”，以了解正确的使用方法。
For a correct use please refer to "General Notes" in the pressure switches Euroswitch catalogue, edition 2012.

24

单刀双掷 (SPDT) 触点压力开关 Pressure switch with SPDT contacts



代码 - Part Number

		设定范围 Setting range bar	20°C公差 Tolerance at 20°C bar	最大安全压力 Max Overpressure limit bar	最大工作压力 Max Working pressure bar
隔膜 diaphragm	24 0 0 ● ■ 1	0.3 - 5	± 0.15	300	150
	24 0 0 ● ■ 2	1 - 10	± 0.5	300	150
	24 0 0 ● ■ 3	10 - 25	± 1	300	150
	24 0 0 ● ■ 4	25 - 80	± 2.5	300	150
活塞 piston	24 0 0 ● ■ 5	50 - 200	± 2÷10	800	450
	24 0 0 ● ■ 6	100 - 300	± 3÷12	800	450
	24 0 0 ● ■ 7	200 - 400	± 4÷15	800	450

● 螺纹 (X3)	Threads (X3)	L1	L2	L3 (mm)	■ 隔膜/密封材料 (参见第12页)	Diaphragms/Seal materials (see page 12)
1 1/8" GAS锥螺纹	1 1/8" GAS conical	10	60	78	1 NBR	1 NBR
2 1/4" GAS锥螺纹	2 1/4" GAS conical	12	62	80	2 FKM (standard)	2 FKM (standard)
6 1/4" GAS管螺纹	6 1/4" GAS cylindrical	10	60	78	3 EPDM CH	3 EPDM CH
G 1/8" GAS管螺纹	G 1/8" GAS cylindrical	10	60	78	4 CR	4 CR
					5 Silicone	5 Silicon
					6 HNBR	6 HNBR

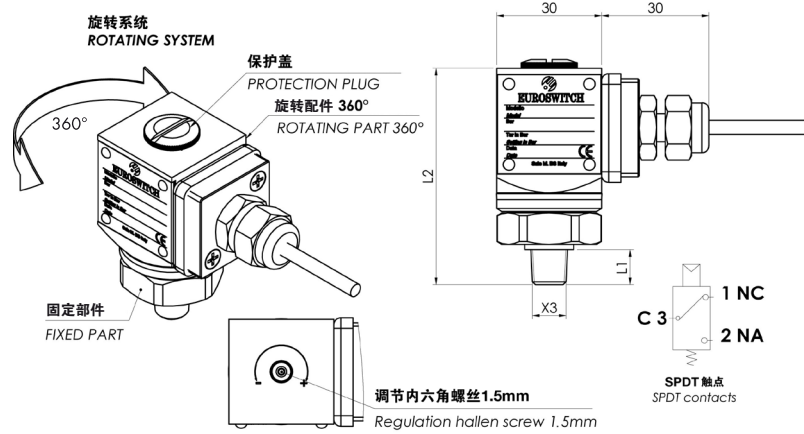
机体	阳极氧化铝
螺纹接头	镀锌钢 (可要求不锈钢)
最大电压	250 Vac
最大电流	5 (1) A
液体最高温度	80°至120°C, 根据隔膜不同而异
启动模式	1B
外部污染情况	正常
机电工作寿命	10 ⁶ 次隔膜版本, 10 ⁵ 次活塞版本
保护级别	IP65
连接器符合 UNI EN 175301-803 (DIN43650) 规定	
固定磁滞隔膜	约10 - 30%, 根据设定值而异
固定磁滞活塞	约10 - 40%, 根据设定值而异
重量	~ 190 gr

Case	Anodized aluminium
Threaded fitting	Zinc plated steel (on request stainless steel)
Max switched voltage	250 Vac
Max switched current	5 (1) A
Max fluid temperature	80° to 120°C depending on diaphragm
Action type	1B
Pollution situation	normal
Mechanical working life	10 ⁶ diaphragm version 10 ⁵ piston version
Protection degree	IP65
with connector according to UNI EN 175301-803 (DIN43650)	
Fixed Hysteresis diaphragm	approximately 10÷30% depending of setting value
Fixed Hysteresis piston	approximately 10÷40% depending of setting value
Weight	~ 190 gr

请参考2012版《Euroswitch传感器目录》中的“总体说明”，以了解正确的使用方法。
For a correct use please refer to "General Notes" in the pressure switches Euroswitch catalogue, edition 2012.

24C

单刀双掷 (SPDT) 触点压力开关
Pressure switch with SPDT contacts



18

代码 - Part Number

		设定范围 Setting range bar	20°C公差 Tolerance at 20°C bar	最大安全压力 Max Overpressure limit bar	最大工作压力 Max Working pressure bar
隔膜 diaphragm	24C 0 0 ● ■ 1	0.3 - 5	± 0.15	300	150
	24C 0 0 ● ■ 2	1 - 10	± 0.5	300	150
	24C 0 0 ● ■ 3	10 - 25	± 1	300	150
	24C 0 0 ● ■ 4	25 - 80	± 2.5	300	150
活塞 piston	24C 0 0 ● ■ 5	50 - 200	± 2÷10	800	450
	24C 0 0 ● ■ 6	100 - 300	± 3÷12	800	450
	24C 0 0 ● ■ 7	200 - 400	± 4÷15	800	450

● 螺纹 (X3)	Threads (X3)	L1	L2 (mm)	■ 隔膜/密封材料 (参见第12页)	Diaphragms/Seal materials (see page 12)
1 1/8" GAS锥螺纹	1 1/8" GAS conical	10	60	1 NBR	1 NBR
2 1/4" GAS锥螺纹	2 1/4" GAS conical	12	62	2 FKM (standard)	2 FKM (standard)
6 1/4" GAS管螺纹	6 1/4" GAS cylindrical	10	60	3 EPDM CH	3 EPDM CH
G 1/8" GAS管螺纹	G 1/8" GAS cylindrical	10	60	4 CR	4 CR
				5 Silicone	5 Sylicon
				6 HNBR	6 HNBR

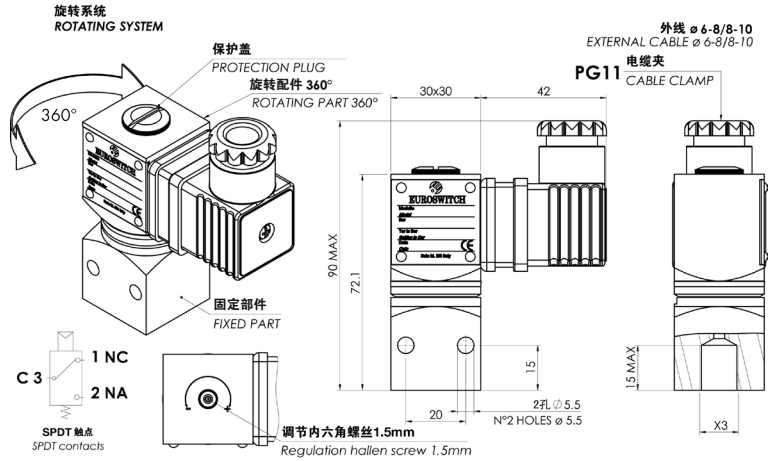
机体	阳极氧化铝
螺纹接头	镀锌钢 (可要求不锈钢)
最大电压	250 Vac
最大电流	5 (1) A
液体最高温度	80°至120°C, 根据隔膜不同而异
启动模式	1B
外部污染情况	正常
机电工作寿命	10 ⁶ 次隔膜版本, 10 ⁵ 次活塞版本
保护级别	IP65
	电缆夹具和长度待确定
固定磁滞隔膜	约10 - 30%, 根据设定值而异
固定磁滞活塞	约10 - 40%, 根据设定值而异
重量	~ 190 gr

Case	Anodized aluminium
Threaded fitting	Zinc plated steel (on request stainless steel)
Max switched voltage	250 Vac
Max switched current	5 (1) A
Max fluid temperature	80° to 120°C depending on diaphragm
Action type	1B
Pollution situation	normal
Mechanical working life	10 ⁶ diaphragm version 10 ⁵ piston version
Protection degree	IP65
	cable clamp and length cable to be defined
Fixed Hysteresis diaphragm	approximately 10÷30% depending of setting value
Fixed Hysteresis piston	approximately 10÷40% depending of setting value
Weight	~ 190 gr

请参考2012版《Euroswitch传感器目录》中的“总体说明”，以了解正确的使用方法。
For a correct use please refer to "General Notes" in the pressure switches Euroswitch catalogue, edition 2012.

24F

单刀双掷 (SPDT) 触点压力开关 - 内螺纹
Pressure switch with SPDT contacts - female thread



代码 - Part Number

		设定范围 Setting range bar	20°C公差 Tolerance at 20°C bar	最大安全压力 Max Overpressure limit bar	最大工作压力 Max Working pressure bar
隔膜 diaphragm	24F 0 0 ● ■ 1	0.3 - 5	± 0.15	300	150
	24F 0 0 ● ■ 2	1 - 10	± 0.5	300	150
	24F 0 0 ● ■ 3	10 - 25	± 1	300	150
	24F 0 0 ● ■ 4	25 - 80	± 2.5	300	150
活塞 piston	24F 0 0 ● ■ 5	50 - 200	± 2÷10	800	450
	24F 0 0 ● ■ 6	100 - 300	± 3÷12	800	450
	24F 0 0 ● ■ 7	200 - 400	± 4÷15	800	450

● 螺纹 (X3)	Threads (X3)	■ 隔膜/密封材料 (参见第12页)	Diaphragms/Seal materials (see page 12)
6 1/4" GAS管螺纹	6 1/4" GAS cylindrical	1 NBR	1 NBR
G 1/8" GAS管螺纹	G 1/8" GAS cylindrical	2 FKM (standard)	2 FKM (standard)
		3 EPDM CH	3 EPDM CH
		4 CR	4 CR
		5 Silicone	5 Sylicon
		6 HNBR	6 HNBR

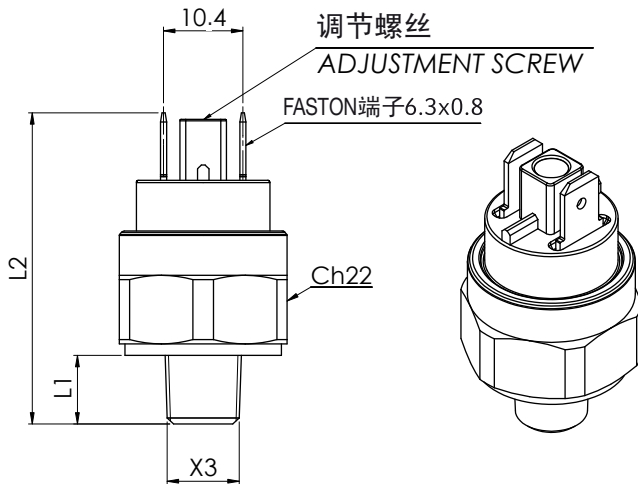
机体	阳极氧化铝
螺纹接头	镀锌钢 (可要求不锈钢)
最大电压	250 Vac
最大电流	5 (1) A
液体最高温度	80°至120°C, 根据隔膜不同而异
启动模式	1B
外部污染情况	正常
机电工作寿命	10 ⁶ 次隔膜版本, 10 ⁵ 次活塞版本
保护级别	IP65
连接器符合	UNI EN 175301-803 (DIN43650) 规定
固定磁滞隔膜	约10 - 30%, 根据设定值而异
固定磁滞活塞	约10 - 40%, 根据设定值而异
重量	~ 265 gr

Case	Anodized aluminium
Threaded fitting	Zinc plated steel (on request stainless steel)
Max switched voltage	250 Vac
Max switched current	5 (1) A
Max fluid temperature	80° to 120°C depending on diaphragm
Action type	1B
Pollution situation	normal
Mechanical working life	10 ⁶ diaphragm version 10 ⁵ piston version
Protection degree	IP65
with connector according to	UNI EN 175301-803 (DIN43650)
Fixed Hysteresis diaphragm	approximately 10÷30% depending of setting value
Fixed Hysteresis piston	approximately 10÷40% depending of setting value
Weight	~ 265 gr

请参考2012版《Euroswitch传感器目录》中的“总体说明”，以了解正确的使用方法。
For a correct use please refer to "General Notes" in the pressure switches Euroswitch catalogue, edition 2012.

25 R

小型压力开关
Small pressure switch



代码 - Part Number

型号 model 25R		电触点 - electrical contact 常开 norm. open	电触点 - electrical contact 常闭 norm. closed	设定范围 Setting range bar	20°C公差 Tolerance at 20°C bar	
25R 1	1					0
25R 1	1	1	25R 2	1	4 ÷ 10	± 0.4
50 bar				最大安全压力 - Max Overpressure limit		
20 bar				最大工作压力 - Max Working pressure		

● 螺纹 (X3)	Threads (X3)	L1	L2 (mm)	■ 隔膜 (参见第12页)	Diaphragm (see page 12)
1 1/8" GAS锥螺纹	1 1/8" GAS conical	8	40	1 NBR	1 NBR
2 1/4" GAS锥螺纹	2 1/4" GAS conical	10	42		

机体	黄铜
电触点	镀银
电流状态	常开 (灰色) / 常闭 (黑色)
最大电压	48 V
最大电流	0.5 A
液体最高温度	80° C
机电工作寿命	10 ⁵ 次 (0 - 200bar)
启动模式	1B
外部污染情况	正常
重量	~ 50 gr

Case	Brass
Electric contacts	Silver plated
Electric conditions	N.O. (Grey) N.C. (Black)
Max switched voltage	48 V
Max switched current	0.5 A
Max fluid temperature	80° C
Mechanical working life	10 ⁵ operations
Action type	1B
Pollution situation	normal
Weight	~ 50 gr

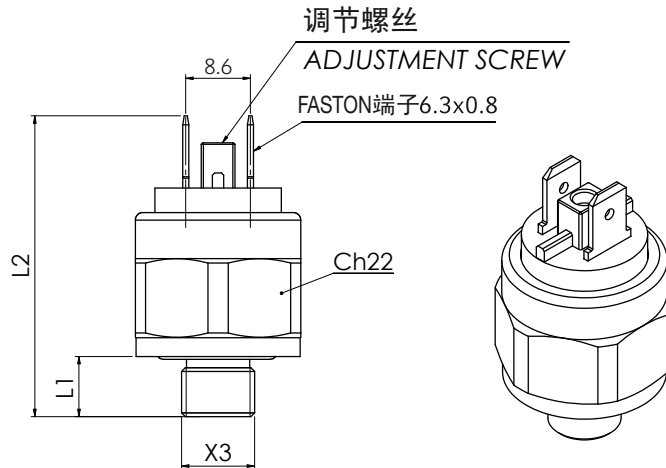
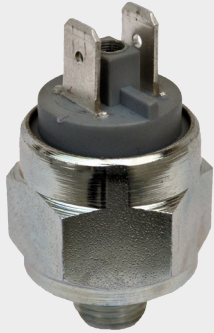
联系我们的客户服务以了解更多版本信息。

Please contact Euroswitch for further information on the versions available

请参考2012版《Euroswitch传感器目录》中的“总体说明”，以了解正确的使用方法。
For a correct use please refer to "General Notes" in the pressure switches Euroswitch catalogue, edition 2012.

26 R

小型压力开关
Small pressure switch



代码 - Part Number

镀锌钢机体 Zinc plated steel case		黄铜机体 brass case		设定范围 Setting range bar	20°C公差 Tolerance at 20°C bar
电触点 - electrical contact 常开 norm. open		电触点 - electrical contact 常开 norm. open			
26R 1 0	0	26R 1 1	0	1 - 6	± 0.3
26R 1 0	1	26R 1 1	1	2 ÷ 10	± 0.5
400 bar		80 bar		最大安全压力 - Max Overpressure limit	

● 螺纹 (X3)	Threads (X3)	L1	L2 (mm)	■ 隔膜 (参见第12页)	Diaphragm (see page 12)
1 1/8" GAS锥螺纹	1 1/8" GAS conical	8	40	1 NBR	1 NBR
2 1/4" GAS锥螺纹	2 1/4" GAS conical	10	42		
3 M10x1 锥螺纹	3 M10x1	9	40		

机体	镀锌钢或黄铜
电触点	镀银
电流状态	常开
最大电压	48 V
最大电流	0.5 A
液体最高温度	80° C
机电工作寿命	10 ⁵ 次 (0-200 bar)
启动模式	1B
外部污染情况	正常
重量	~ 45 gr

Case	Zinc plated steel / Brass
Electric contacts	Silver plated
Electric conditions	N.O.
Max switched voltage	48 V
Max switched current	0.5 A
Max fluid temperature	80° C
Mechanical working life	10 ⁵ operations (0-200 bar)
Action type	1B
Pollution situation	normal
Weight	~ 45 gr

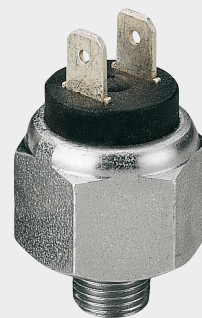
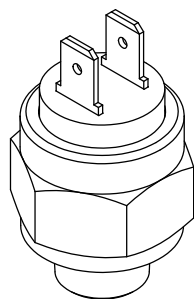
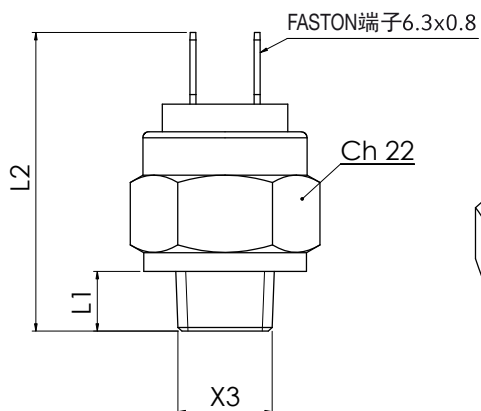
联系我们的客户服务以了解更多版本信息。

Please contact Euroswitch for further information on the versions available

请参考2012版《Euroswitch传感器目录》中的“总体说明”，以了解正确的使用方法。
For a correct use please refer to "General Notes" in the pressure switches Euroswitch catalogue, edition 2012.

26

固定设置压力开关 Fixed setting pressure switch



22

代码 - Part Number

型号model 26		设置范围 Operating range bar
电触点 - electrical contact 常开 norm. open		
26 1 0 ● 1 0		1 - 4
26 1 0 ● 1 1		3 - 6
400 bar		最大安全压力 - Max Overpressure limit

● 螺纹 (X3)	Threads (X3)	L1	L2(mm)	■ 隔膜 (参见第12页)	Diaphragm (see page 12)
1 1/8" GAS锥螺纹	1 1/8" GAS conical	8	39	1 NBR	1 NBR
2 1/4" GAS锥螺纹	2 1/4" GAS conical	10	41		
3 M10x1 锥螺纹	3 M10x1 conical	9	40		

机体	镀锌钢
电触点	镀银
电流状态	常开
最大电压	24 V
最大电流	2 A
液体最高温度	100° C
机电工作寿命	10 ⁵ 次 (0 - 200 bar)
启动模式	1B
外部污染情况	正常
重量	~ 35 gr

Case	Zinc plated steel
Electric contacts	Silver plated
Electric conditions	N.O.
Max switched voltage	24 V
Max switched current	2 A
Max fluid temperature	100° C
Mechanical working life	10 ⁵ operations (0-200 bar)
Action type	1B
Pollution situation	normal
Weight	~ 35 gr

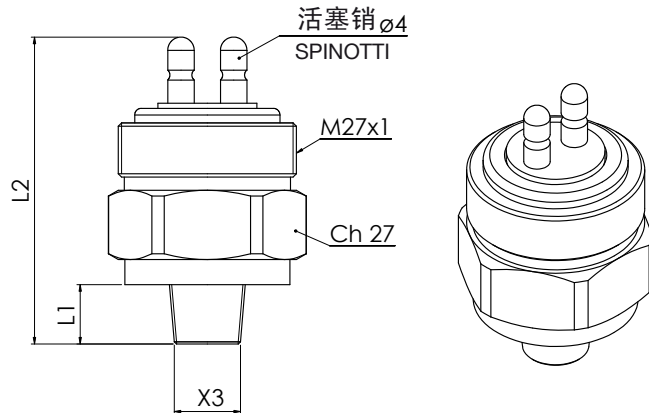
联系我们的客户服务以了解更多版本信息。

Please contact Euroswitch for further information on the versions available

请参考2012版《Euroswitch传感器目录》中的“总体说明”，以了解正确的使用方法。
For a correct use please refer to "General Notes" in the pressure switches Euroswitch catalogue, edition 2012.

266

固定设置压力开关
Fixed setting pressure switch



代码 - Part Number

型号 model 266		设置范围 Operating range bar
电触点 - electrical contact 常开 norm. open		
26 6 0 ● ■ 0		1 - 4
26 6 0 ● ■ 1		3 - 6
400 bar		最大安全压力 - Max Overpressure limit

● 螺纹 (X3)	Threads (X3)	L1	L2 (mm)	■ 隔膜 (参见第12页)	Diaphragm (see page 12)
1 1/8" GAS锥螺纹	1 1/8" Gas conical	10	48	1 NBR	1 NBR
2 1/4" GAS锥螺纹	2 1/4" Gas conical	12	50		
3 M10x1 锥螺纹	3 M10x1 conical	9	47		

机体	镀锌钢
电触点	镀银
电流状态	常开
最大电压	24 V
最大电流	2 A
液体最高温度	100° C
机电工作寿命	10 ⁵ 次 (0 - 200 bar)
启动模式	1B
外部污染情况	正常
重量	~ 70 gr

Case	Zinc plated steel
Electric contacts	Silver plated
Electric conditions	N.O.
Max switched voltage	24 V
Max switched current	2 A
Max fluid temperature	100° C
Mechanical working life	10 ⁵ operations (0 - 200 bar)
Action type	1B
Pollution situation	normal
Weight	~ 70 gr

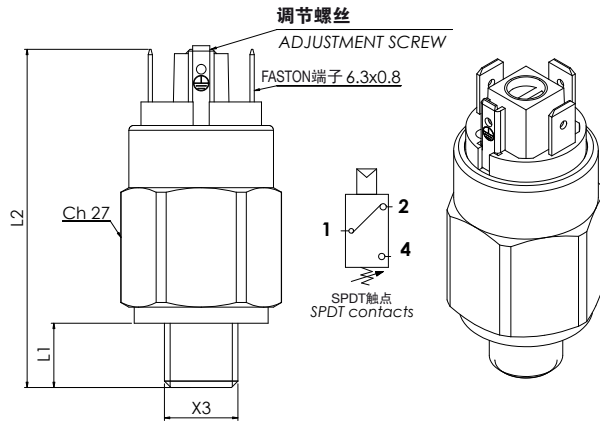
联系我们的客户服务以了解更多版本信息。

Please contact Euroswitch for further information on the versions available

请参考2012版《Euroswitch传感器目录》中的“总体说明”，以了解正确的使用方法。
For a correct use please refer to "General Notes" in the pressure switches Euroswitch catalogue, edition 2012.

27

膜片式压力开关 - 可调磁滞 - 单刀双掷SPDT接触 Diaphragm pressure switch - adjustable hysteresis - SPDT contacts



24

代码 - Part Number

镀锌钢机体 Zinc plated steel case	黄铜机体 Brass case	设定范围 Setting range bar	20°C 公差 Tolerance at 20°C bar
27 2 0 ● ■ 0	27 2 1 ● ■ 0	0.3 - 1.5	± 0.2
27 2 0 ● ■ 1	27 2 1 ● ■ 1	1 - 5	± 0.3
27 2 0 ● ■ 2	27 2 1 ● ■ 2	1 - 10	± 0.5
27 2 0 ● ■ 3	27 2 1 ● ■ 3	10 - 50	± 2
27 2 0 ● ■ 4		10 - 100	± 3
300 bar	80 bar	最大安全压力 - Max Overpressure limit	
150 bar	40 bar	最大工作压力 - Max Working pressure	

● 螺纹 (X3)	Threads (X3)	L1	L2 (mm)	■ 隔膜 (参见第12页)	Diaphragms (see page 12)
1 1/8" GAS锥螺纹	1 1/8" GAS conical	10	61	1 NBR	1 NBR
2 1/4" GAS锥螺纹	2 1/4" GAS conical	12	63	2 FKM (standard)	2 FKM (standard)
3 M10x1K 锥螺纹	3 M10x1K conical	10	61	3 EPDM CH	3 EPDM CH
4 M12x1.5 管螺纹	4 M12x1.5 cylindrical	10	61	4 CR	4 CR
5 1/8" NPT	5 1/8" NPT	9	60	5 Silicone	5 Silicon
6 1/4" GAS管螺纹	6 1/4" GAS cylindrical	12	63	6 HNBR	6 HNBR

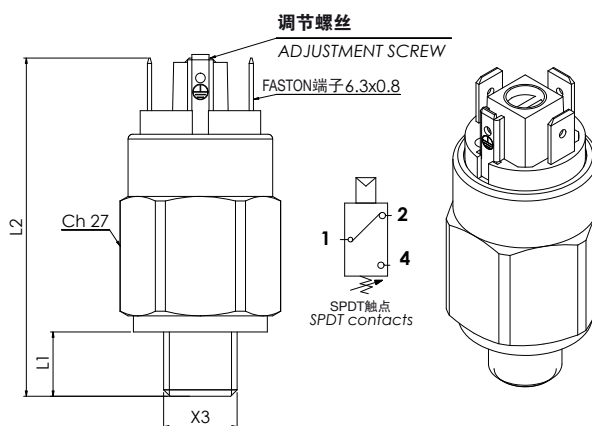
机体	镀锌钢或黄铜
电触点	镀银
电气特性	2(1) A / 24 Vdc 6(1) A / 250 Vac
液体最高温度根据隔膜而异	
液体最高温度	80° 至 120°C
机电工作寿命	10 ⁵ 次
启动模式	1B
外部污染情况	正常
保护级别	IP 00
连接器 3900003	IP 65 (见13 - 15页)
磁滞	20 - 40%可在公司调整
重量	~ 115 gr

Case	Zinc plated steel or brass
Electric contacts	Silver plated
Electrical characteristics	2(1) A / 24 Vdc 6(1) A / 250 Vac
Max fluid temperature depending on diaphragm	
	80° to 120°C
Mechanical working life	10 ⁵ operations
Action type	1B
Pollution situation	normal
Protection degree	IP 00
with connector 3900003	IP 65 (see pages 13-15)
Hysteresis	20 ÷ 40% adjustable in Euroswitch
Weight	~ 115 gr

请参考2012版《Euroswitch传感器目录》中的“总体说明”，以了解正确的使用方法。
For a correct use please refer to "General Notes" in the pressure switches Euroswitch catalogue, edition 2012.

28

活塞式压力开关 - 可调迟滞 - 单刀双掷SPDT接触
 Piston pressure switch - adjustable hysteresis SPDT contacts



代码 - Part Number	设定范围 Setting range bar	20°C公差 Tolerance at 20 °C
28 2 0 ● 1 6	50 - 200	± 2÷10
28 2 0 ● 1 7	100 - 300	± 5÷15
800 bar	最大安全压力 - Max Overpressure limit	
450 bar	最大工作压力 - Max Working pressure	

● 螺纹 (X3)	Threads (X3)	L1	L2 (mm)
1 1/8" GAS锥螺纹	1 1/8" GAS conical	10	61
2 1/4" GAS锥螺纹	2 1/4" GAS conical	12	63
3 M10x1K 锥螺纹	3 M10x1K conical	10	61
4 M12x1.5 管螺纹	4 M12x1.5 cylindrical	10	61
5 1/8" NPT	5 1/8" NPT	9	60
6 1/4" GAS管螺纹	6 1/4" GAS cylindrical	12	63

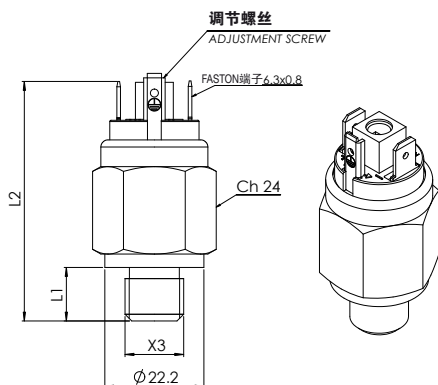
本体	镀锌钢
电触点	银镍, 可镀金
电气特性	2(1) A / 24 Vdc 6(1) A / 250 Vac
液体最高温度	80° C
机械工作寿命	10 ⁶ 次 (10 - 300bar)
启动模式	1B
外部污染情况	正常
保护级别	IP 00
连接器 3900003	IP 65 (见13 - 15页)
迟滞	30-50%可在公司调整
■ 密封	NBR (见12页)
重量	~115gr

Case	Zinc plated steel
Electric contacts	Silver plated
Electrical characteristics	2(1) A / 24 Vdc 6(1) A / 250 Vac
Max fluid temperature	80° C
Mechanical working life	10 ⁶ operations
Action type	1B
Pollution situation	normal
Protection degree	IP 00
with connector 3900003	IP 65 (see pages 13-15)
Hysteresis	30 ÷ 50% adjustable in Euroswitch
■ Seal	NBR (see page 12)
Weight	~ 115 gr

请参考2012版《Euroswitch传感器目录》中的“总体说明”，以了解正确的使用方法。
 For a correct use please refer to "General Notes" in the pressure switches Euroswitch catalogue, edition 2012.

30

活塞式压力开关 ≤ 250V
Piston pressure switch ≤ 250V



代码 - Part Number		设置范围 Setting range bar	20°C公差 Tolerance at 20 °C bar
型号model 30			
电触点 - electrical contact 常开 norm. open	电触点 - electrical contact 常闭 norm. closed		
30 1 0 ● 1 6	30 2 0 ● 1 6	50 - 150	± 2 ÷ 10
30 1 0 ● 1 7	30 2 0 ● 1 7	100 - 300	± 5 ÷ 15
800 bar		最大安全压力 - Max Overpressure limit	
450 bar		最大工作压力 - Max Working pressure	

● 螺纹 (X3)	Threads (X3)	L1	L2 (mm)
1 1/8" GAS锥螺纹	1 1/8" GAS conical	10	52
3 M10x1 锥螺纹	3 M10x1 conical	12	54
H 1/4" GAS管螺纹	H 1/4" GAS cylindrical	10	52

本体	镀锌钢
电触点	银镍, 可镀金
电流状态	常开 (紫色) / 常闭 (蓝色)
最大电压	250 V
最大电流	0.5 A
液体最高温度	100° C
机械工作寿命	10 ⁵ 次 (10 - 300bar)
电气工作寿命	10 ⁵ 次
启动模式	1B
外部污染情况	正常
保护级别	IP 00
带保护盖 3015001	IP 54 (见13 - 15页)
带保护盖 3900001	IP 65 (见13 - 15页)
带连接器 3900200	IP 65 (见13 - 15页)
适用规定	EN 60730-I
■ 密封	丁腈橡胶+铁氟龙 (见第12页)
活塞	AISI 303
重量	~ 75 gr

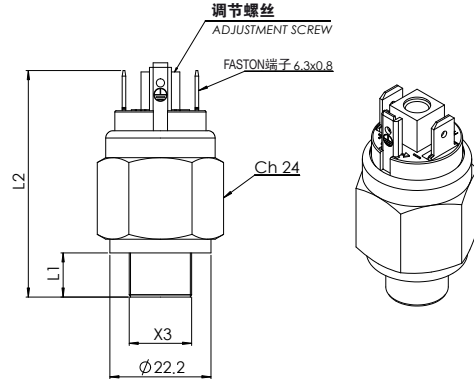
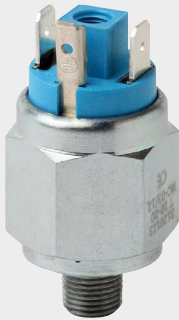
Case	Zinc plated steel
Electric contacts	Silver AgNi, on request gold plated
Electrical condition	N.O. (bordeaux) or N.C. (blue)
Max switched voltage	250 V
Max switched current	0.5 A
Max fluid temperature	100° C
Mechanical working life	10 ⁵ operations (10-300 bar)
Electrical working life	10 ⁵ operations
Action type	1B
Pollution situation	normal
Protection degree	IP 00
with cover 3015001	IP 54 (see pages 13-15)
with cap 3900001	IP 65 (see pages 13-15)
with connector 3900200	IP 65 (see pages 13-15)
In accordance with	EN 60730-I
■ Seal	NBR+Teflon (see page 12)
Piston	AISI 303
Weight	~ 75 gr

请参考2012版《Euroswitch传感器目录》中的“总体说明”，以了解正确的使用方法。
For a correct use please refer to "General Notes" in the pressure switches Euroswitch catalogue, edition 2012.

31

膜片式压力开关 ≤ 250V Diaphragm pressure switch ≤ 250V

 可要求 ATEX 版本
Version ATEX available on request



代码 - Part Number				设定范围 Setting range bar	20°C公差 Tolerance at 20°C bar
碳钢镀锌 Zinc plated steel case		黄铜体 brass case			
电触点 - electrical contact		电触点 - electrical contact			
常开 norm. open	常闭 norm. closed	常开 norm. open	常闭 norm. closed		
31 1 0 ● ● 0	31 2 0 ● ● 0	31 1 1 ● ● 0	31 2 1 ● ● 0	0.1 - 1	± 0.1
31 1 0 ● ● 1	31 2 0 ● ● 1	31 1 1 ● ● 1	31 2 1 ● ● 1	1 - 5	± 0.3
31 1 0 ● ● 2	31 2 0 ● ● 2	31 1 1 ● ● 2	31 2 1 ● ● 2	1 - 10	± 0.5
31 1 0 ● ● 3	31 2 0 ● ● 3	31 1 1 ● ● 3	31 2 1 ● ● 3	10 - 20	± 1.0
31 1 0 ● ● 4	31 2 0 ● ● 4			20 - 50	± 2.0
300 bar		80 bar		最大安全压力 - Max Overpressure limit	
150 bar		40 bar		最大工作压力 - Max Working pressure	

● 螺纹 (X3)	Threads (X3)	L1	L2 (mm)	■ 隔膜 (参见第12页)	Diaphragms (see page 12)
1 1/8" GAS锥螺纹	1 1/8" GAS conical	10	51	1 NBR	1 NBR
2 1/4" GAS锥螺纹	2 1/4" GAS conical	12	53	2 FKM (standard)	2 FKM (standard)
3 M10x1K 锥螺纹	3 M10x1K conical	10	51	3 EPDM CH	3 EPDM CH
4 M12x1.5 管螺纹	4 M12x1.5 cylindrical	9	50	4 CR	4 CR
5 1/8" NPT	5 1/8" NPT	10	51	5 Silicone	5 Silicon
6 1/4" GAS管螺纹	6 1/4" GAS cylindrical	9.7	50.7	6 HNBR	6 HNBR
7 1/8" UNI 5711 GAS管螺纹	7 1/8" GAS cylindrical Gola UNI 5711	10	51		
8 M10x1 管螺纹	8 M10x1 cylindrical	9.5	50.5		

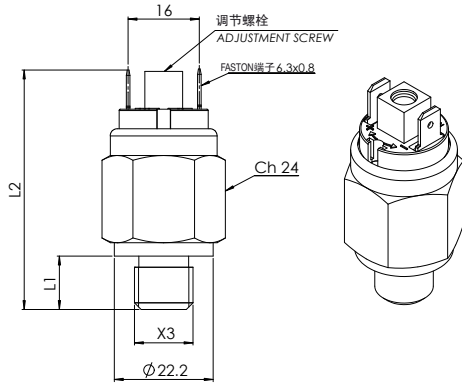
本体	碳钢镀锌或黄铜 (可要求不锈钢)
电触点	银镍, 可镀金
电流状态	常开 (紫色) / 常闭 (蓝色)
最大电压	250 Vac
最大电流	0.5 A
液体最高温度	80° a 120°C (根据隔膜不同)
机械工作寿命	10 ⁶ 次
电气工作寿命	10 ⁵ 次
启动模式	1B
外部污染情况	正常
保护级别	IP 00
带保护盖 3015001	IP 54 (见13 - 15页)
带保护盖 3900001	IP 65 (见13 - 15页)
带连接器 3900200	IP 65 (见13 - 15页)
适用规定	EN 60730-I
重量	~ 70 gr

Case	Zincplated steel or brass (on request inox)
Electric contact	Silver AgNi, on request gold plated
Electrical conditions	N.O. (bordeaux) N.C. (blu)
Max switches voltage	250 Vac
Max switches current	0.5 A
Max fluid temperature	80° to 120°C (depending on diaphragm)
Mechanical working life	10 ⁶ operations
Electrical working life	10 ⁵ operations
Action type	1B
Pollution situation	normal
Protection degree	IP 00
with cover 3015001	IP 54 (see pages 13-15)
with cap 3900001	IP 65 (see pages 13-15)
with connector 3900200	IP 65 (see pages 13-15)
In accordance with	EN 60730-I
Weight	~70 gr

请参考2012版《Euroswitch传感器目录》中的“总体说明”，以了解正确的使用方法。
For a correct use please refer to "General Notes" in the pressure switches Euroswitch catalogue, edition 2012.

40

活塞式压力开关 ≤ 48V
Piston pressure switch ≤ 48V



28

代码 - Part Number		设置范围 Setting range bar	20°C公差 Tolerance at 20 ° C bar
型号 model 40			
电触点 - electrical contact 常开 norm. open	电触点 - electrical contact 常闭 norm. closed		
40 1 0 ● ■ 6	40 2 0 ● ■ 6	50 - 150	± 2 ÷ 10
40 1 0 ● ■ 7	40 2 0 ● ■ 7	100 - 300	± 5 ÷ 15
800 bar		最大安全压力 - Max Overpressure limit	
450 bar		最大工作压力 - Max Working pressure	

● 螺纹 (X3)	Threads (X3)	L1	L2 (mm)
1 1/8" GAS锥螺纹	1 1/8" GAS conical	10	52
H 1/4" GAS锥螺纹	H 1/4" GAS cylindrical	12	54
3 M10x1 锥螺纹	3 M10x1 conical	10	52

本体	镀锌钢
电触点	银镍, 可镀金
电流状态	常开 (紫色) / 常闭 (蓝色)
最大电压	48 V
最大电流	0.5 A
液体最高温度	100° C
机械工作寿命	10 ⁵ 次 (10 - 300 bar)
电气工作寿命	10 ⁵ 次
启动模式	1B
外部污染情况	正常
保护级别	IP 00
带保护盖 3015001	IP 54 (见13 - 15页)
带保护盖 3900001	IP 65 (见13 - 15页)
带连接器 3900200	IP 65 (见13 - 15页)
适用规定	EN 60730-I
■ 密封	丁腈橡胶+铁氟龙 (见第12页)
活塞	AISI 303
重量	~ 75 gr

Case	Zinc plated steel
Electric contacts	Silver AgNi, on request gold plated
Electrical condition	N.O. (bordeaux) or N.C. (blue)
Max switched voltage	48 V
Max switched current	0.5 A
Max fluid temperature	100° C
Mechanical working life	10 ⁵ operations (10-300 bar)
Electrical working life	10 ⁵ operations
Action type	1B
Pollution situation	normal
Protection degree	IP 00
with cover 3015001	IP 54 (see pages 13-15)
with cap 3900001	IP 65 (see pages 13-15)
with connector 3900200	IP 65 (see pages 13-15)
In accordance with	EN 60730-I
■ Seal	NBR+Teflon /see page 12)
Piston	AISI 303
Weight	~ 75 gr

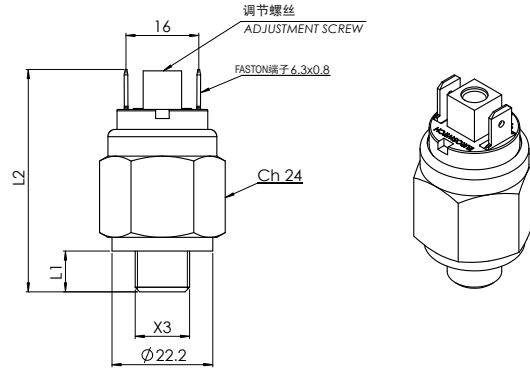
请参考2012版《Euroswitch传感器目录》中的“总体说明”，以了解正确的使用方法。
For a correct use please refer to "General Notes" in the pressure switches Euroswitch catalogue, edition 2012.

41

 可要求 ATEX 版本
Version ATEX available on request



膜片式压力开关 ≤ 48V Diaphragm pressure switch ≤ 48V



代码 - Part Number

镀锌钢体 Zinc plated steel case		黄铜体 brass case		设定范围 Setting range bar	20°C公差 Tolerance at 20°C bar
电触点 - electrical contact		电触点 - electrical contact			
常开 norm. open	常闭 norm. closed	常开 norm. open	常闭 norm. closed		
41 1 0 ● ● 0	41 2 0 ● ● 0	41 1 1 ● ● 0	41 2 1 ● ● 0	0.1 - 1	± 0.1
41 1 0 ● ● 1	41 2 0 ● ● 1	41 1 1 ● ● 1	41 2 1 ● ● 1	1 - 5	± 0.3
41 1 0 ● ● 2	41 2 0 ● ● 2	41 1 1 ● ● 2	41 2 1 ● ● 2	1 - 10	± 0.5
41 1 0 ● ● 3	41 2 0 ● ● 3	41 1 1 ● ● 3	41 2 1 ● ● 3	10 - 20	± 1.0
41 1 0 ● ● 4	41 2 0 ● ● 4			20 - 50	± 2.0
300 bar		80 bar		最大安全压力 - Max Overpressure limit	
150 bar		40 bar		最大工作压力 - Max Working pressure	

● 螺纹 (X3)	Threads (X3)	L1	L2 (mm)	■ 隔膜 (参见第12页)	Diaphragms (see page 12)
1 1/8" GAS锥螺纹	1 1/8" GASconical	10	51	1 NBR	1 NBR
2 1/4" GAS锥螺纹	2 1/4" GAS conical	12	53	2 FKM (standard)	2 FKM (standard)
3 M10x1K 锥螺纹	3 M10x1K conical	10	51	3 EPDM CH	3 EPDM CH
4 M12x1.5 管螺纹	4 M12x1.5 cylindrical	9	50	4 CR	4 CR
5 1/8" NPT	5 1/8" NPT	10	51	5 Silicone	5 Silicon
6 1/4" GAS管螺纹	6 1/4" GAS cylindrical	9.7	50.7	6 HNBR	6 HNBR
7 1/8" UNI 5711 GAS管螺纹	7 1/8" GAS cylindrical Gola UNI 5711	10	51		
8 M10x1管螺纹	8 M10x1 cylindrical	9.5	50.5		

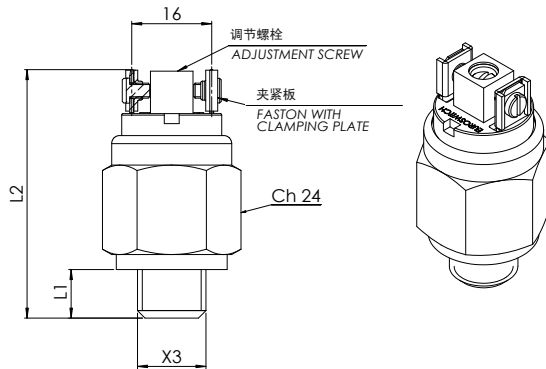
本体	碳钢镀锌或黄铜 (可要求不锈钢)
电触点	银镍, 可镀金
电流状态	常开 (紫色) / 常闭 (蓝色)
最大电压	48 V
最大电流	0.5 A
液体最高温度	80°C - 120°C (根据隔膜不同)
机械工作寿命	10 ⁶ 次
电气工作寿命	10 ⁵ 次
启动模式	1B
外部污染情况	正常
保护级别	IP 00
带保护盖 3015001	IP 54 (见13 - 15页)
带保护盖 3900001	IP 65 (见13 - 15页)
带连接器 3900200	IP 65 (见13 - 15页)
适用规定	EN 60730-1
重量	~ 70 gr

Case	Zincplated steel or brass (on request inox)
Electric contact	Silver AgNi, on request gold plated
Electrical conditions	N.O. (bordeaux) N.C. (blu)
Max switches voltage	48 V
Max switches current	0.5 A
Max fluid temperature	80° to 120°C (depending on diaphragm)
Mechanical working life	10 ⁶ operations
Electrical working life	10 ⁵ operations
Action type	1B
Pollution situation	normal
Protection degree	IP 00
with cover 3015001	IP 54 (see pages 13-15)
with cap 3900001	IP 65 (see pages 13-15)
with connector 3900200	IP 65 (see pages 13-15)
In accordance with	EN 60730-1
Weight	~70 gr

请参考2012版《Euroswitch传感器目录》中的“总体说明”，以了解正确的使用方法。
For a correct use please refer to "General Notes" in the pressure switches Euroswitch catalogue, edition 2012.

41V

膜片式压力开关, 螺丝旋接端子
Diaphragm pressure switch, screw terminals



30

代码 - Part Number				设定范围 Setting range bar	20°C公差 Tolerance at 20°C bar
镀锌钢 Zinc plated steel case		黄铜体 brass case			
电触点 - electrical contact		电触点 - electrical contact			
常开 norm. open	常闭 norm. closed	常开 norm. open	常闭 norm. closed		
41V 1 0 ● ● 0	41V 2 0 ● ● 0	41V 1 1 ● ● 0	41V 2 1 ● ● 0	0.1 - 1	± 0.1
41V 1 0 ● ● 1	41V 2 0 ● ● 1	41V 1 1 ● ● 1	41V 2 1 ● ● 1	1 - 5	± 0.3
41V 1 0 ● ● 2	41V 2 0 ● ● 2	41V 1 1 ● ● 2	41V 2 1 ● ● 2	1 - 10	± 0.5
41V 1 0 ● ● 3	41V 2 0 ● ● 3	41V 1 1 ● ● 3	41V 2 1 ● ● 3	10 - 20	± 1.0
41V 1 0 ● ● 4	41V 2 0 ● ● 4			20 - 50	± 2.0
300 bar		80 bar		最大安全压力 - Max Overpressure limit	
150 bar		40 bar		最大工作压力 - Max Working pressure	

● 螺纹 (X3)	Threads (X3)	L1	L2 (mm)	■ 隔膜 (参见第12页)	Diaphragms (see page 12)
1 1/8" GAS锥螺纹	1 1/8" GAS conical	10	51	1 NBR	1 NBR
2 1/4" GAS锥螺纹	2 1/4" GAS conical	12	53	2 FKM (standard)	2 FKM (standard)
3 M10x1K 锥螺纹	3 M10x1K conical	10	51	3 EPDM CH	3 EPDM CH
4 M12x1.5 管螺纹	4 M12x1.5 cylindrical	9	50	4 CR	4 CR
5 1/8" NPT	5 1/8" NPT	10	51	5 Silicone	5 Sylicon
6 1/4" GAS管螺纹	6 1/4" GAS cylindrical	9.7	50.7	6 HNBR	6 HNBR
7 1/8" UNI 5711 GAS管螺纹	7 1/8" GAS cylindrical Gola UNI 5711	10	51		
8 M10x1 管螺纹	8 M10x1 cylindrical	9.5	50.5		

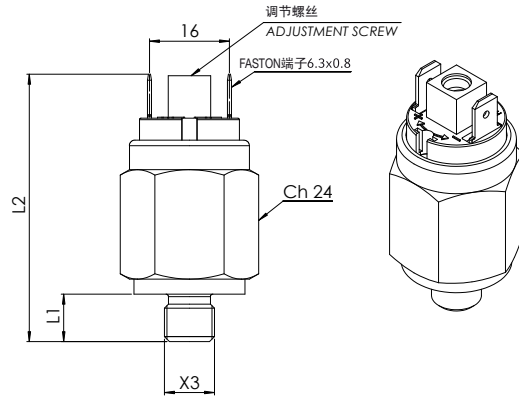
本体	镀锌钢或黄铜 (可要求不锈钢)
电触点	银镍, 可镀金
电流状态	常开 (紫色) / 常闭 (蓝色)
最大电压	48V (可要求250V)
最大电流	0.5 A
液体最高温度	80°C-120°C (根据隔膜不同)
机械工作寿命	10 ⁶ 次
电气工作寿命	10 ⁵ 次
启动模式	1B
外部污染情况	正常
保护级别	IP 00
带保护盖 3015001	IP 54 (见13 - 15页)
带保护盖 3900001	IP 65 (见13 - 15页)
适用规定	EN 60730-I
重量	~ 75 gr

Case	Zinc plated steel or brass (on request inox)
Electric contacts	Silver AgNi, on request gold plated
Electrical condition	N.O. (bordeaux) or N.C. (blue)
Max switched voltage	48 V (250 V on request)
Max switched current	0.5 A
Max fluid temperature	80° a 120°C depending on diaphragm
Mechanical working life	10 ⁶ operations
Electrical working life	10 ⁵ operations
Action type	1B
Pollution situation	normal
Protection degree	IP 00
with cover 3015001	IP 54 (see pages 13-15)
with cap 3900001	IP 65 (see pages 13-15)
In accordance with	EN 60730-I
Weight	~ 75 gr

请参考2012版《Euroswitch传感器目录》中的“总体说明”，以了解正确的使用方法。
For a correct use please refer to "General Notes" in the pressure switches Euroswitch catalogue, edition 2012.

41B 41C

高压膜片式压力开关 - 压力极限600巴
Diaphragm pressure switch - over pressure limit 600 bar



代码 - Part Number		电触点 - electrical contact	设定范围 Setting range bar	20°C公差 Tolerance at 20°C bar
镀锌钢体 Zinc plated steel case				
常开 norm. open	常闭 norm. closed			
41B 1 0 ● 2	41B 2 0 ● 2		1 - 10	± 0.5
41B 1 0 ● 3	41B 2 0 ● 3		10 - 20	± 1
41C 1 0 ● 4	41C 2 0 ● 4		20 - 50	± 2
41C 1 0 ● 5	41C 2 0 ● 5		50 - 150	± 5
600 bar			最大安全压力 - Max Overpressure limit	
300 bar		最大工作压力 - Max Working pressure		

● 螺纹 (X3)	Threads (X3)	L1	L2 (mm)	■ 隔膜 (参见第12页)	Diaphragms (see page 12)
1 1/8" GAS锥螺纹	1 1/8" GAS conical	10	54	1 NBR	1 NBR
2 1/4" GAS锥螺纹	2 1/4" GAS conical	12	56	2 FKM (standard)	2 FKM (standard)
3 M10x1K 锥螺纹	3 M10x1K conical	10	54	3 EPDM CH	3 EPDM CH
5 1/8" NPT	5 1/8" NPT	10	54	4 CR	4 CR
6 1/4" GAS管螺纹	6 1/4" GAS cylindrical	10	54	6 HNBR	6 HNBR

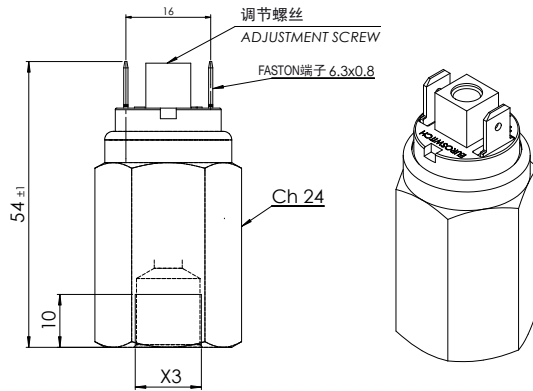
本体	镀锌钢
电触点	银镍, 可镀金
电流状态	常开 (紫色) / 常闭 (蓝色)
最大电压	48V (可要求250V)
最大电流	0.5 A
液体最高温度	80°C - 120°C (根据隔膜不同)
机械工作寿命	41B 10 ⁵ 次 41C 10 ⁶ 次
电气工作寿命	10 ⁵ 次
启动模式	1B
外部污染情况	正常
保护级别	IP 00
带保护盖 3015001	IP 54 (见13 - 15页)
带保护盖 3900001	IP 65 (见13 - 15页)
带连接器 3900200	IP 65 (见13 - 15页)
适用规定	EN 60730-I
重量	~ 60 gr

Case	Zinc plated steel
Electric contacts	Silver AgNi, on request gold plated
Electrical condition	N.O. (bordeaux) or N.C. (blue)
Max switched voltage	48 V (250V on request)
Max switched current	0.5 A
Max fluid temperature	80° a 120°C depending on diaphragm
Mechanical working life	41B 10 ⁵ operations 41C 10 ⁶ operations
Electrical working life	10 ⁵ operations
Action type	1B
Pollution situation	normal
Protection degree	IP 00
with cover 3015001	IP 54 (see pages 13-15)
with cap 3900001	IP 65 (see pages 13-15)
with connector 3900200	IP 65 (see pages 13-15)
In accordance with	EN 60730-I
Weight	~ 60 gr

请参考2012版《Euroswitch传感器目录》中的“总体说明”，以了解正确的使用方法。
For a correct use please refer to "General Notes" in the pressure switches Euroswitch catalogue, edition 2012.

42

膜片式压力开关 ≤ 48V - 内螺纹
Diaphragm pressure switch ≤ 48V female thread



代码 - Part Number				设定范围 Setting range bar	20°C公差 Tolerance at 20°C bar
镀锌钢 Zinc plated steel case		黄铜体 brass case			
电触点 - electrical contact		电触点 - electrical contact			
常开 norm. open	常闭 norm. closed	常开 norm. open	常闭 norm. closed		
42 1 0 ● ■ 0	42 2 0 ● ■ 0	42 1 1 ● ■ 0	42 2 1 ● ■ 0	0.1 - 1	± 0.1
42 1 0 ● ■ 1	42 2 0 ● ■ 1	42 1 1 ● ■ 1	42 2 1 ● ■ 1	1 - 5	± 0.3
42 1 0 ● ■ 2	42 2 0 ● ■ 2	42 1 1 ● ■ 2	42 2 1 ● ■ 2	1 - 10	± 0.5
42 1 0 ● ■ 3	42 2 0 ● ■ 3	42 1 1 ● ■ 3	42 2 1 ● ■ 3	10 - 20	± 1.0
42 1 0 ● ■ 4	42 2 0 ● ■ 4			20 - 50	± 2.0
300 bar		80 bar		最大安全压力 - Max Overpressure limit	
150 bar		40 bar		最大工作压力 - Max Working pressure	

● 螺纹 (X3)

- 4 M12x1.5 锥螺纹
- 6 1/4" GAS锥螺纹
- G 1/8" GAS锥螺纹
- 8 M10x1 锥螺纹

Threads (X3)

- 4 M12x1.5 cylindrical
- 6 1/4" GAS cylindrical
- G 1/8" GAS cylindrical
- 8 M10x1 cylindrical

■ 隔膜 (参见第12页)

- 1 NBR
- 2 FKM (standard)
- 3 EPDM CH
- 4 CR
- 5 Silicone
- 6 HNBR

Diaphragms (see page 12)

- 1 NBR
- 2 FKM (standard)
- 3 EPDM CH
- 4 CR
- 5 Silicon
- 6 HNBR

本体	碳钢镀锌或黄铜
电触点	银镍, 可镀金
电流状态	常开 (紫色) / 常闭 (蓝色)
最大电压	48V (可申请250V)
最大电流	0.5 A
液体最高温度	80°C - 120°C (根据隔膜不同)
机械工作寿命	10 ⁶ 次
电气工作寿命	10 ⁵ 次
启动模式	1B
外部污染情况	正常
保护级别	IP 00
带保护盖 3015001	IP 54 (见13 - 15页)
带保护盖 3900001	IP 65 (见13 - 15页)
带连接器 3900200	IP 65 (见13 - 15页)
适用规定	EN 60730-I
重量	~ 125 gr

Case	Zincplated steel or brass (on request inox)
Electric contact	Silver AgNi, on request gold plated
Electrical conditions	N.O. (bordeaux) N.C. (blu)
Max switches voltage	48 V (250 V on request)
Max switches current	0.5 A
Max fluid temperature	80° to 120°C (depending on diaphragm)
Mechanical working life	10 ⁶ operations
Electrical working life	10 ⁵ operations
Action type	1B
Pollution situation	normal
Protection degree	IP 00
with cover 3015001	IP 54 (see pages 13-15)
with cap 3900001	IP 65 (see pages 13-15)
with connector 3900200	IP 65 (see pages 13-15)
In accordance with	EN 60730-I
Weight	~125 gr

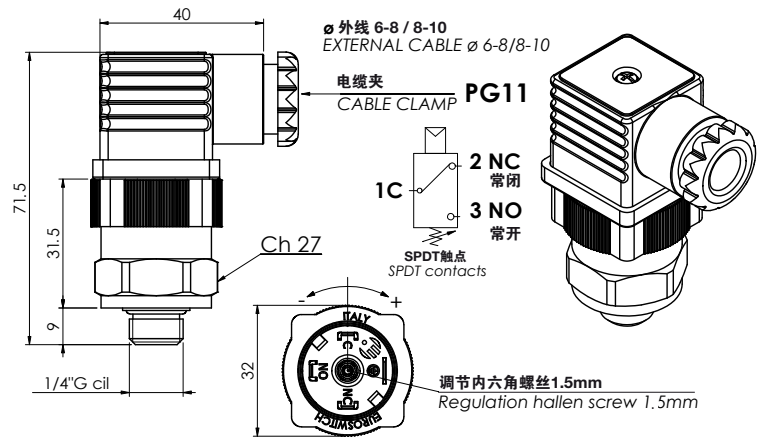
如需VDE版本, 请联系我司技术部。

For VDE version please contact technical department

请参考2012版《Euroswitch传感器目录》中的“总体说明”, 以了解正确的使用方法。
For a correct use please refer to "General Notes" in the pressure switches Euroswitch catalogue, edition 2012.

46

低压活塞式压力开关 - 单刀双掷SPDT接触 Piston pressure switch for low pressure - SPDT contacts



代码 - Part Number	铝制本体 Aluminum case	螺纹 - thread	设定范围 Setting range bar	20°C公差 Tolerance at 20°C bar
46 2 3 1 2		1/4" GAS管螺纹 - cylindrical gas	2 - 10	± 0.5
	50 bar	最大安全压力 - Max Overpressure limit		
	20 bar	最大工作压力 - Max Working pressure		

本体	铝制
电触点	银
调节螺钉	内六角扳手1.5mm
液体最高温度	80°C
电气条件	SPDT (开关触点)
电气特性	5 (4) A / 14 Vdc
	4 (3) A / 30 Vdc
	5 (3) A / 125 Vac
	5 (1) A / 250 Vac
固定迟滞	最大0.8bar
启动模式	1B
外部污染情况	正常
机械工作寿命	2x10 ⁵ 次 (0-10 bar)
电气工作寿命	5x10 ⁴ 次
最大扭矩	20 Nm
保护级别	IP65
连接器符合UNI EN 175301-803 (DIN43650)规定	
■ 密封	丁腈橡胶+特氟隆 (见第12页)
重量	~ 110 gr

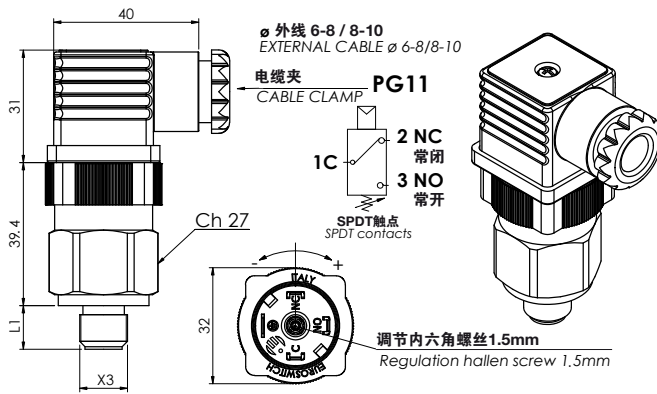
Case	Aluminum
Electric contacts	Silver
Regulation screw	Allen Key 1.5 mm
Max fluid temperature	80°C
Electrical condition	SPDT (exchange contact)
Electrical characteristics	5 (4) A / 14 Vdc
	4 (3) A / 30 Vdc
	5 (3) A / 125 Vac
	5 (1) A / 250 Vac
Fixed hystereis	max 0.8 bar
Action type	1B
External pollution situation	normal
Mechanical working life	2x10 ⁵ operations (0-10bar)
Electrical working life	5x10 ⁴ operations
Tightening torque max	20 Nm
Protection degree	IP65
with connector according to UNI EN 175301-803 (DIN43650)	
■ Seal	NBR + Teflon (see page 12)
Weight	~ 110 gr

请参考2012版《Euroswitch传感器目录》中的“总体说明”，以了解正确的使用方法。
For a correct use please refer to "General Notes" in the pressure switches Euroswitch catalogue, edition 2012.

48

活塞式压力开关 - 单刀双掷SPDT接触 Piston pressure switch with SPDT contacts

 可要求 ATEX 版本
Version ATEX available on request



34

代码 - Part Number	设定范围 Setting range bar	20°C公差 Tolerance at 20 ° C bar
48 2 0 ● 1 6	50 ÷ 200	± 2 ÷ 10
48 2 0 ● 1 7	200 ÷ 400	± 4 ÷ 15
900 bar	最大安全压力 - Max Overpressure limit	
450 bar	最大工作压力 - Max Working pressure	

● 螺纹 (X3)	Threads (X3)	L1
2 1/4" GAS锥螺纹	2 1/4" GAS conical	12
H 1/4" GAS管螺纹	H 1/4" GAS cylindrical	12

本体	镀锌钢 (可要求不锈钢)
电触点	银
调节螺钉	内六角扳手1.5mm
液体最高温度	100°C
电气条件	SPDT (开关触点)
电气特性	5 (4) A / 14 Vdc
	4 (3) A / 30 Vdc
	5 (3) A / 125 Vac
	5 (1) A / 250 Vac
固定迟滞	约为设定值的10%-40%
启动模式	1B
外部污染情况	正常
机械工作寿命	10 ⁶ 次
最大扭矩	50 Nm
保护级别	IP65
连接器符合UNI EN 175301-803 (DIN43650)规定	
■ 密封	丁腈橡胶+特氟隆 (见第12页)
重量	~ 120 gr

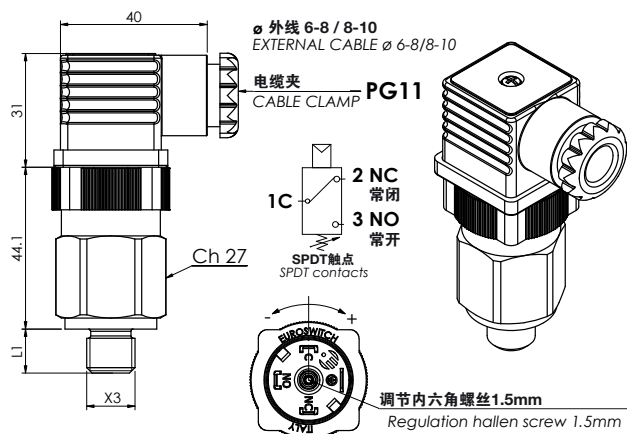
Case	Zinc plated steel (on request inox)
Electric contacts	Silver
Regulation screw	Allen Key 1.5 mm
Max fluid temperature	100°C
Electrical condition	SPDT (exchange contact)
Electrical characteristics	5 (4) A / 14 Vdc
	4 (3) A / 30 Vdc
	5 (3) A / 125 Vac
	5 (1) A / 250 Vac
Fixed Hysteresis	approximately 10-40% depending of setting value
Action type	1B
External pollution situation	normal
Mechanical working life	10 ⁶ operations
Tightening torque	50 Nm
Protection degree	IP65
with connector according to UNI EN 175301-803 (DIN43650)	
■ Seal	NBR + Teflon
Weight	~ 120 gr

请参考2012版《Euroswitch传感器目录》中的“总体说明”，以了解正确的使用方法。
For a correct use please refer to "General Notes" in the pressure switches Euroswitch catalogue, edition 2012.

49

 可要求 ATEX 版本
Version ATEX available on request

膜片式压力开关 - 单刀双掷SPDT接触 Diaphragm pressure switch with SPDT contacts



代码 - Part Number

镀锌钢 Zinc plated steel case	黄铜体 Brass case	设定范围 Setting range bar	20°C公差 Tolerance at 20°C bar
49 2 0 ● ■ 0	49 2 1 ● ■ 0	0.3 - 1.5	± 0.15
49 2 0 ● ■ 1	49 2 1 ● ■ 1	1 - 5	± 0.3
49 2 0 ● ■ 2	49 2 1 ● ■ 2	1 - 12	± 0.5
49 2 0 ● ■ 3		10 - 60	± 2
300 bar	80 bar	最大安全压力 - Max Overpressure limit	
150 bar	40 bar	最大工作压力 - Max Working pressure	

● 螺纹 (X3)	Threads (X3)	L1 (mm)
1 1/8" GAS锥螺纹	1 1/8" GAS conical	10
2 1/4" GAS锥螺纹	2 1/4" GAS conical	12
3 M10x1K 锥螺纹	3 M10x1K conical	10
4 M12x1.5 管螺纹	4 M12x1.5 cylindrical	9
H 1/4" GAS管螺纹	H 1/4" GAS cylindrical	12

■ 隔膜 (参见第12页)	Diaphragms (see page 12)
1 NBR	1 NBR
2 FKM (standard)	2 FKM (standard)
3 EPDM CH	3 EPDM CH
4 CR	4 CR
5 Silicone	5 Sylcon
6 HNBR	6 HNBR

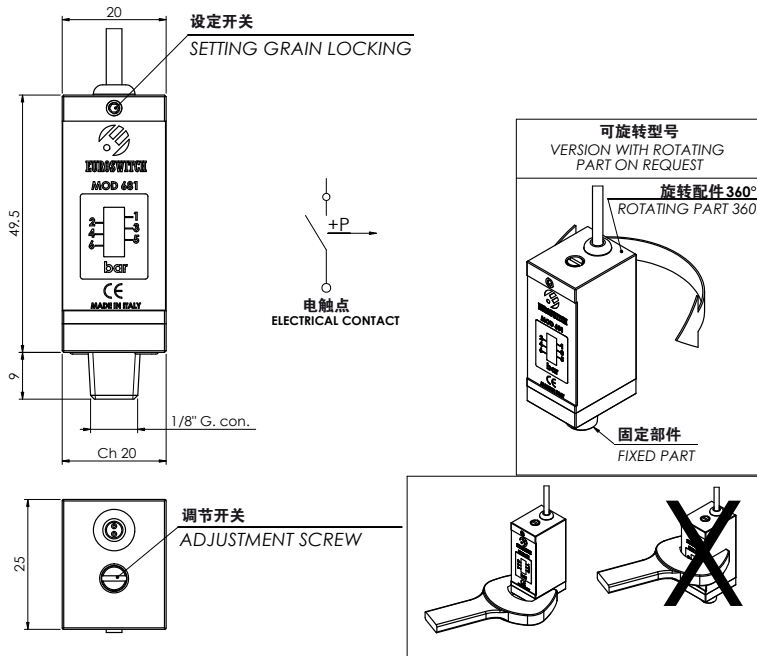
本体	黄铜/镀锌钢
电触点	银
调节螺钉	内六角扳手1.5mm
液体最高温度	80°C至120°C (根据光圈不同)
电气条件	SPDT (开关触点)
电气特性	5 (4) A / 14 Vdc
	4 (3) A / 30 Vdc
	5 (3) A / 125 Vac
	5 (1) A / 250 Vac
固定迟滞	约为设定值的10% - 30%
启动模式	1B
外部污染情况	正常
机械工作寿命	10 ⁶ 次
最大扭矩	25/50 Nm
保护级别	IP65
连接器符合UNI EN 175301-803 (DIN43650)规定	
重量	~ 140 gr

Case	Brass / zinc plated steel
Electric contacts	Silver
Regulation screw	Allen Key 1.5 mm
Max fluid temperature	80° to 120°C depending on diaphragm
Electrical condition	SPDT (exchange contact)
Electrical characteristics	5 (4) A / 14 Vdc
	4 (3) A / 30 Vdc
	5 (3) A / 125 Vac
	5 (1) A / 250 Vac
Fixed Hysteresis	approximately 10÷30% depending of setting value
Action type	1B
External pollution situation	normal
Mechanical working life	10 ⁶ operations
Tightening torque max	25/50 Nm
Protection degree	IP65
	with connector according to UNI EN 175301-803 (DIN43650)
Weight	~ 140 gr

请参考2012版《Euroswitch传感器目录》中的“总体说明”，以了解正确的使用方法。
For a correct use please refer to "General Notes" in the pressure switches Euroswitch catalogue, edition 2012.

681

压力开关带可视设置尺度
Pressure switch with setting visual scale



避免在有磁场的环境中使用
避免在有水分或油滴的环境中使用
避免与燃气或腐蚀剂一起使用

Do not use in magnetic ambient.
Do not use in water ambient and in presence of drop oil.
Avoid to use with gas and corrosive fluids.

36

代码 - Part Number	螺纹 - thread	设定范围 Setting range bar
681 1 3 1 1 1	1/8" 锥螺纹 - conical	1 - 6
20 bar	最大安全压力 - Max Overpressure limit	

本体	阳极氧化铝
螺纹接头	黄铜
标签	光学聚碳酸酯
电触点	PVC电缆2x0.22mm ² L= 1000 mm
接触类型	Reed SPST常开
最大电压	48V
最大电流	0.5A
最大容量	10W
液体最高温度	60° C
启动模式	1B
外部污染情况	正常
机械工作寿命	10 ⁶ 次
保护级别	IP40
扭力	15 - 20 Nm
重量	~ 95 gr

Case	Anodized aluminium
Threaded fitting	Brass
Label	Optical polycarbonate
Electrical connection	PVC cable 2x0.22 mm ² L= 1000 mm
Type of contact	Reed SPST NO
Max switch voltage	48V
Max switch current	0.5A
Max switch capacity	10W
Max fluid temperature	60° C
Action type	1B
Pollution situation	normal
Mech. and electrical working life	10 ⁶
Protection degree	IP40
Tightening torque	15 - 20 Nm
Weight	~ 95 gr

请参考2012版《Euroswitch传感器目录》中的“总体说明”，以了解正确的使用方法。
For a correct use please refer to "General Notes" in the pressure switches Euroswitch catalogue, edition 2012.

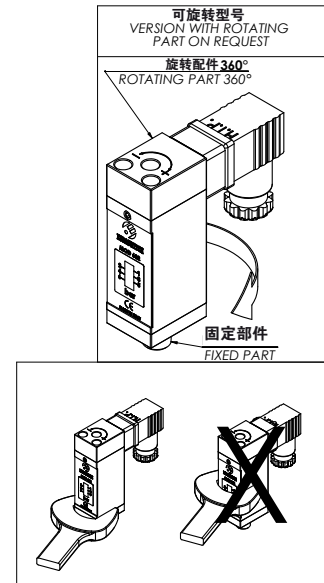
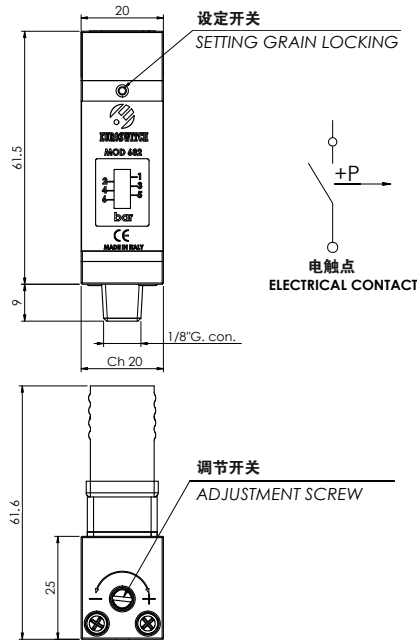
682

压力开关带可视设置尺度
Pressure switch with setting visual scale



避免在有磁场的环境中使用
避免在有水分或油滴的环境中使用
避免与燃气或腐蚀性剂一起使用

Do not use in magnetic ambient.
Do not use in water ambient and in presence of drop oil.
Avoid to use with gas and corrosive fluids.



代码 - Part Number	螺纹 - thread	设定范围 Setting range bar
682 1 3 1 1 1	1/8" 锥螺纹 - conical	1 - 6
20 bar	最大安全压力 - Max Overpressure limit	

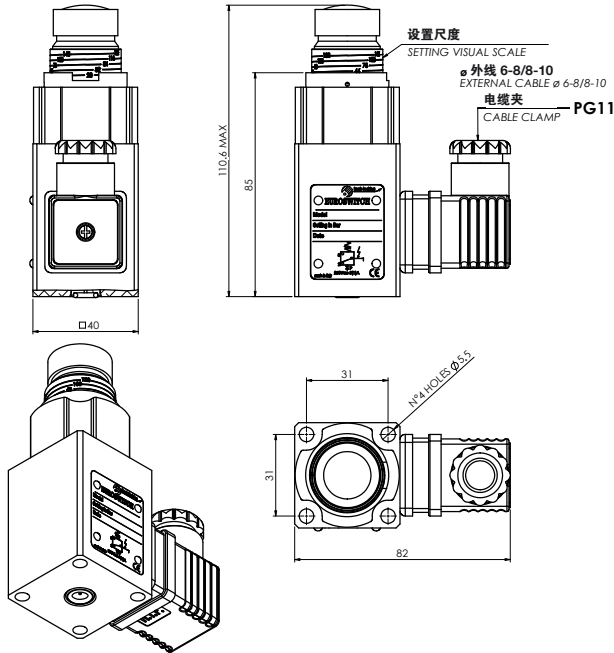
本体	阳极氧化铝
螺纹接头	黄铜
标签	光学聚碳酸酯
电触点	连接器DIN43650-C int-9.4
接触类型	簧片SPST常开
最大电压	48V
最大电流	0.5A
最大容量	10W
液体最高温度	60° C
启动模式	1B
外部污染情况	正常
机械工作寿命	10 ⁶ 次
保护级别	IP40
扭力	15 - 20 Nm
重量	~ 105 gr

Case	Anodized aluminium
Threaded fitting	Brass
Label	Optical polycarbonate
Electrical connection	Connector DIN43650-C int-9.4
Type of contact	Reed SPST NO
Max switch voltage	48V
Max switch current	0.5A
Max switch capacity	10W
Max fluid temperature	60° C
Action type	1B
Pollution situation	normal
Mech. and electrical working life	10 ⁶
Protection degree	IP40
Tightening torque	15 - 20 Nm
Weight	~ 105 gr

请参考2012版《Euroswitch传感器目录》中的“总体说明”，以了解正确的使用方法。
For a correct use please refer to "General Notes" in the pressure switches Euroswitch catalogue, edition 2012.

691

活塞压力开关带可调节旋钮
Piston pressure switch with adjusting knob



38

代码 - Part Number	设定范围 Setting range bar	20°C公差 Tolerance
691 2 3 0 1 5	8 - 150	± 2%
691 2 3 0 1 6	40 - 400	± 2%
900 bar	最大安全压力 - Max Overpressure limit	

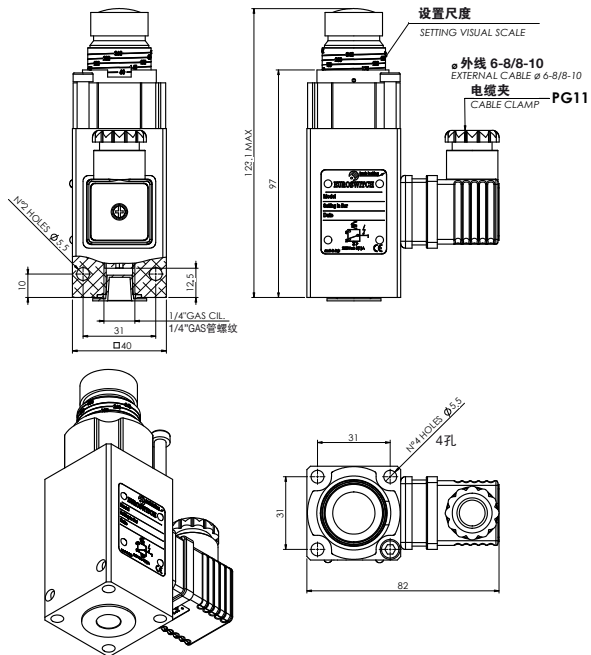
本体	阳极氧化铝
电触点	银SPDT
液体最高温度	100°C
电气特性	5 (4) A / 14 Vdc 4 (3) A / 30 Vdc 5 (3) A / 125 Vac 5 (1) A / 250 Vac
固定迟滞	约为设定值的10%
启动模式	1B
外部污染情况	正常
机械工作寿命	10 ⁶ 次
固定歧管连接	
保护级别	IP65
连接器符合UNI EN 175301-803 (DIN43650)规定	
■密封	丁腈橡胶+特氟隆 (见第12页)
重量	约360 gr 提供垫片和固定螺丝

Case	Anodized aluminium
Electric contacts	SPDT Silver
Max fluid temperature	100°C
Electrical characteristics	5 (4) A / 14 Vdc 4 (3) A / 30 Vdc 5 (3) A / 125 Vac 5 (1) A / 250 Vac
Fixed hystereis	approximately 10% of setting value
Action type	1B
External pollution situation	normal
Mechanical working life	10 ⁶ operations
Fixing	Manifold connection
Protection degree	IP65
with connector according to UNI EN 175301-803 (DIN43650)	
■ Seal	NBR+Teflon (see page 12)
Weight	360 gr (Approximately) Supplied with gasket and fixing screws

请参考2012版《Euroswitch传感器目录》中的“总体说明”，以了解正确的使用方法。
For a correct use please refer to "General Notes" in the pressure switches Euroswitch catalogue, edition 2012.

692

活塞压力开关带可调节旋钮
Piston pressure switch with adjusting knob



代码 - Part Number	设定范围 Setting range bar	20°C公差 Tolerance
692 2 3 0 1 5	8 - 150	± 2%
692 2 3 0 1 6	40 - 400	± 2%
900 bar	最大安全压力 - Max Overpressure limit	

本体	阳极氧化铝
电触点	银SPDT
液体最高温度	100°C
电气特性	5 (4) A / 14 Vdc 4 (3) A / 30 Vdc 5 (3) A / 125 Vac 5 (1) A / 250 Vac
固定迟滞	约为设定值的10%
启动模式	1B
外部污染情况	正常
机械工作寿命	10 ⁶ 次
固定歧管连接 - G 1/4" F	
保护级别	IP65
连接器符合UNI EN 175301-803 (DIN43650)规定	
■密封	丁腈橡胶+特氟隆 (见第12页)
重量	约380 gr 提供垫片和固定螺丝

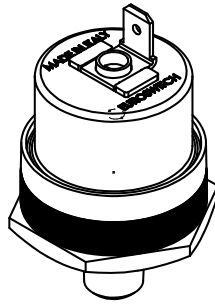
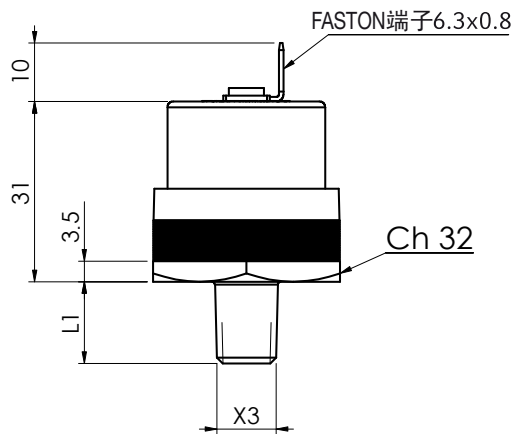
Case	Anodized aluminium
Electric contacts	SPDT Silver
Max fluid temperature	100°C
Electrical characteristics	5 (4) A / 14 Vdc 4 (3) A / 30 Vdc 5 (3) A / 125 Vac 5 (1) A / 250 Vac
Fixed hysteresis	approximately 10% of setting value
Action type	1B
External pollution situation	normal
Mechanical working life	10 ⁶ operations
Fixing	Manifold connection - G 1/4" F
Protection degree	IP65
with connector according to UNI EN 175301-803 (DIN43650)	
■Seal	NBR+Teflon (see page 12)
Weight	380 gr (Approximately) Supplied with gasket and fixing screws

请参考2012版《Euroswitch传感器目录》中的“总体说明”，以了解正确的使用方法。
For a correct use please refer to "General Notes" in the pressure switches Euroswitch catalogue, edition 2012.

34

固定设置真空开关 ≤ 48V

Fixed setting vacuum switch ≤ 48V



40

代码 - Part Number		设定范围 Setting range m bar	20°C公差 Tolerance at 20 °C m bar
型号model 34			
电触点 - electrical contact 常开 norm. open		-100 / - 900	± 50
34 1 1 ● B 9			
15 bar		最大安全压力 - Max Overpressure limit	
10 bar		最大工作压力 - Max Working pressure	

● 螺纹 (X3)	Threads (X3)	L1 (mm)
1 1/8" GAS锥螺纹	1 1/8" GAS conical	10
2 1/4" GAS锥螺纹	2 1/4" GAS conical	12

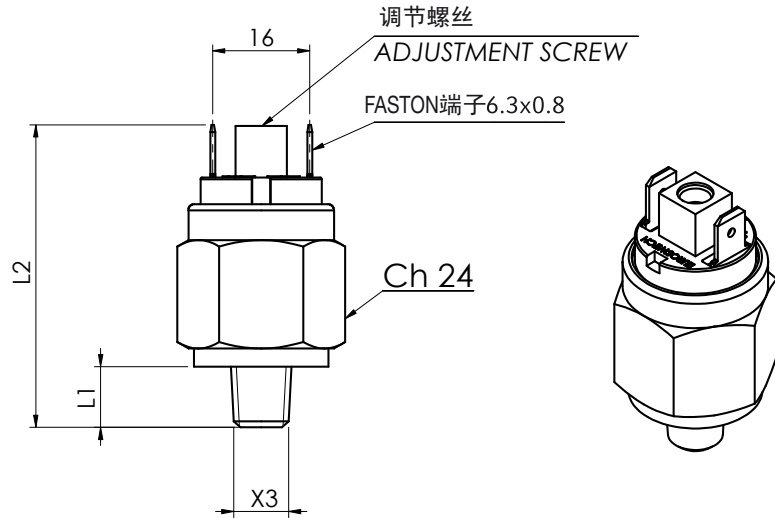
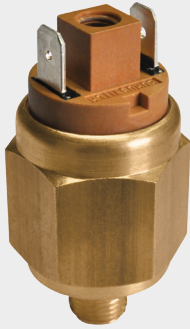
本体	黄铜 (可要求不锈钢制)
电触点	银镍, 可镀金
电流状态	常开
最大电压	13.5V dc
最大电流	0.2A
液体最高温度	80°C
启动模式	1B
外部污染情况	正常
机械工作寿命	10 ⁵ 次
电气工作寿命	10 ⁵ 次
适用规定	EN 60730-I
保护级别	IP00
隔膜	B 磷青铜+ O形圈氟橡胶
重量	~ 70 gr

Case	Brass (on request inox)
Electric contacts	Silver AgNi, on request gold plated
Electrical connection	N.O.
Max switch voltage	13.5V dc
Max switch current	0.2A
Max fluid temperature	80°C
Action type	1B
Pollution situation	normal
Mech. and electrical working life	10 ⁵ operations
Electrical working life	10 ⁵ operations
In accordance with	EN 60730-I
Protection degree	IP00
Diaphragm	B Phosphor bronze + O-Ring in VITON
Weight	~ 70 gr

请参考2012版《Euroswitch传感器目录》中的“总体说明”，以了解正确的使用方法。
For a correct use please refer to "General Notes" in the pressure switches Euroswitch catalogue, edition 2012.

35

真空开关 ≤ 48V
Vacuum switch ≤ 48V



代码 - Part Number		设定范围 Setting range m bar	20°C公差 Tolerance at 20 °C m bar
型号 model 35			
电触点 - electrical contact 常开 norm. open	电触点 - electrical contact 常闭 norm. closed	-200 / -900	± 100
35 1 1 ● ■ 9	35 2 1 ● ■ 9		
15 bar		最大安全压力 - Max Overpressure limit	
10 bar		最大工作压力 - Max Working pressure	

● 螺纹 (X3)	Threads (X3)	L1	L2 (mm)
1 1/8" GAS锥螺纹	1 1/8" GAS conical	10	50
2 1/4" GAS锥螺纹	2 1/4" GAS conical	12	52
3 M10x1 锥螺纹	3 M10x1 conical	10	50
4 1/8" NPT	4 1/8" NPT	10	50

本体	黄铜 (可要求不锈钢制)
电触点	银镍, 可镀金
电流状态	常开 (自然颜色) / 常闭 (赭色)
最大电压	48V
最大电流	0.5A
液体最高温度	80°C-120°C (根据隔膜不同)
启动模式	1B
外部污染情况	正常
机械工作寿命	10 ⁵ 次
电气工作寿命	10 ⁵ 次
适用规定	EN 60730-I
保护级别	IP00
	带保护盖 3015001 IP54 (见13-15页)
	带保护盖 3900001 IP65 (见13-15页)
	带连接器 DIN 3900200 IP65 (见13-15页)
插入代码隔膜	1NBR (油) 4CR (气) (见9页)
重量	~ 70 gr

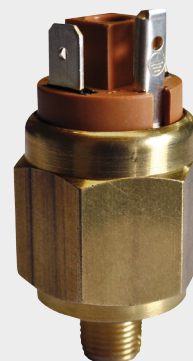
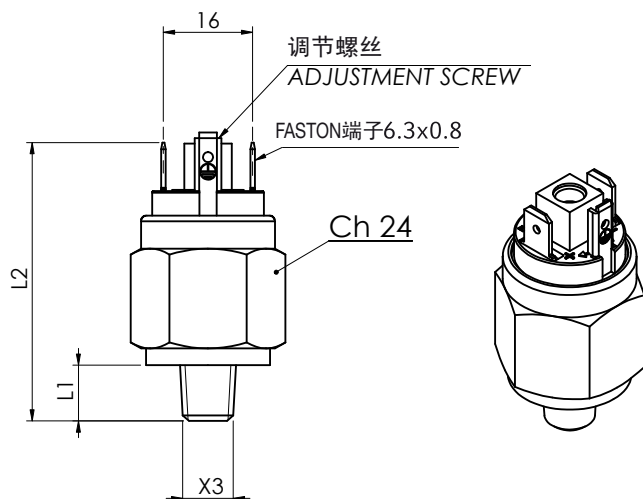
Case	Brass (on request inox)
Electric contacts	Silver AgNi, on request gold plated
Electrical connection	N.O. (natural color) N.C. (ochre)
Max switch voltage	48V
Max switch current	0.5A
Max fluid temperature	80°-120°C (depending on diaphragm)
Action type	1B
Pollution situation	normal
Mech. and electrical working life	10 ⁵ operations
Electrical working life	10 ⁵ operations
In accordance with	EN 60730-I
Protection degree	IP00
	with cover 3015001 IP54 (see pages 13-15)
	with cap. 3900001 IP65 (see pages 13-15)
	with DIN connector 3900200 IP65
Insert diaphragm code	1NBR (oil) 4CR (air) (see page 9)
Weight	~ 70 gr

请参考2012版《Euroswitch传感器目录》中的“总体说明”，以了解正确的使用方法。
For a correct use please refer to "General Notes" in the pressure switches Euroswitch catalogue, edition 2012.

37

真空开关 ≤ 250V
Vacuum switch ≤ 250V

 可要求 ATEX 版本
Version ATEX available on request



代码 - Part Number		设定范围 Setting range m bar	20°C公差 Tolerance at 20 ° C m bar
型号 model 37			
电触点 - electrical contact 常开 norm. open	电触点 - electrical contact 常闭 norm. closed	-200 / -900	± 100
37 1 1 ● ■ 9	37 2 1 ● ■ 9		
15 bar		最大安全压力 - Max Overpressure limit	
10 bar		最大工作压力 - Max Working pressure	

● 螺纹 (X3)	Threads (X3)	L1	L2 (mm)
1 1/8" GAS锥螺纹	1 1/8" GAS conical	10	50
2 1/4" GAS锥螺纹	2 1/4" GAS conical	12	52
3 M10x1 锥螺纹	3 M10x1 conical	10	50
4 1/8" NPT	4 1/8" NPT	10	50

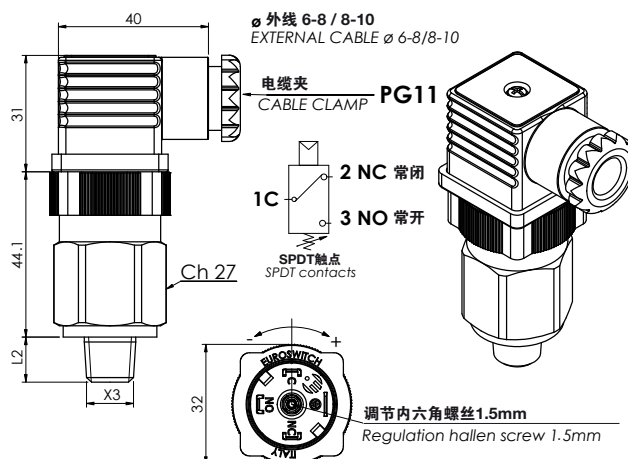
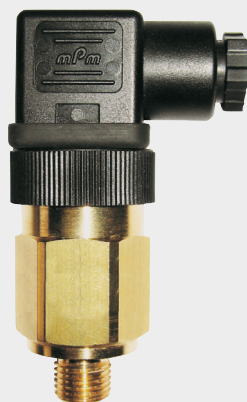
本体	黄铜 (可要求不锈钢制)	Case	Brass (on request inox)
电触点	银镍, 可镀金	Electric contacts	Silver AgNi, on request gold plated
电流状态	常开 (自然颜色) / 常闭 (赭色)	Electrical connection	N.O. (natural color) N.C. (ochre)
最大电压	250V	Max switch voltage	250V
最大电流	0.5A	Max switch current	0.5A
液体最高温度	80°C-120°C (根据隔膜不同)	Max fluid temperature	80°-120°C (depending on diaphragm)
启动模式	1B	Action type	1B
外部污染情况	正常	Pollution situation	normal
机械工作寿命	10 ⁶ 次	Mech. and electrical working life	10 ⁶ operations
电气工作寿命	10 ⁶ 次	Electrical working life	10 ⁶ operations
适用规定	EN 60730-I	In accordance with	EN 60730-I
保护级别	IP00	Protection degree	IP00
	带保护盖 3015001 IP54 (见13-15页)		with cover 3015001 IP54 (see pages 13-15)
	带保护盖 3900001 IP65 (见13-15页)		with cap. 3900001 IP65 (see pages 13-15)
	带连接器 DIN 3900200 IP65 (见13-15页)		with DIN connector 3900200 IP65
插入代码隔膜	1NBR (油) 4CR (气) (见12页)	Insert diaphragm code	1NBR (oil) 4CR (air) (see page 12)
重量	~ 70 gr	Weight	~ 70 gr

请参考2012版《Euroswitch传感器目录》中的“总体说明”，以了解正确的使用方法。
For a correct use please refer to "General Notes" in the pressure switches Euroswitch catalogue, edition 2012.

38

Ex 可要求 ATEX 版本
Version ATEX available on request

膜片式真空开关 - 单刀双掷SPDT接触 Diaphragm vacuum switch - SPDT contacts



代码 - Part Number		设定范围 Setting range m bar	20°C公差 Tolerance at 20 ° C m bar
型号 38			
电触点 - electrical contact			
常开 norm. open			
38 2 1 ● 1 9		-200 / - 900	± 100
15 bar		最大安全压力 - Max Overpressure limit	
10 bar		最大工作压力 - Max Working pressure	

● 螺纹 (X3)	Threads (X3)	L2 (mm)
1 1/8" GAS锥螺纹	1 1/8" GAS conical	10
2 1/4" GAS锥螺纹	2 1/4" GAS conical	12

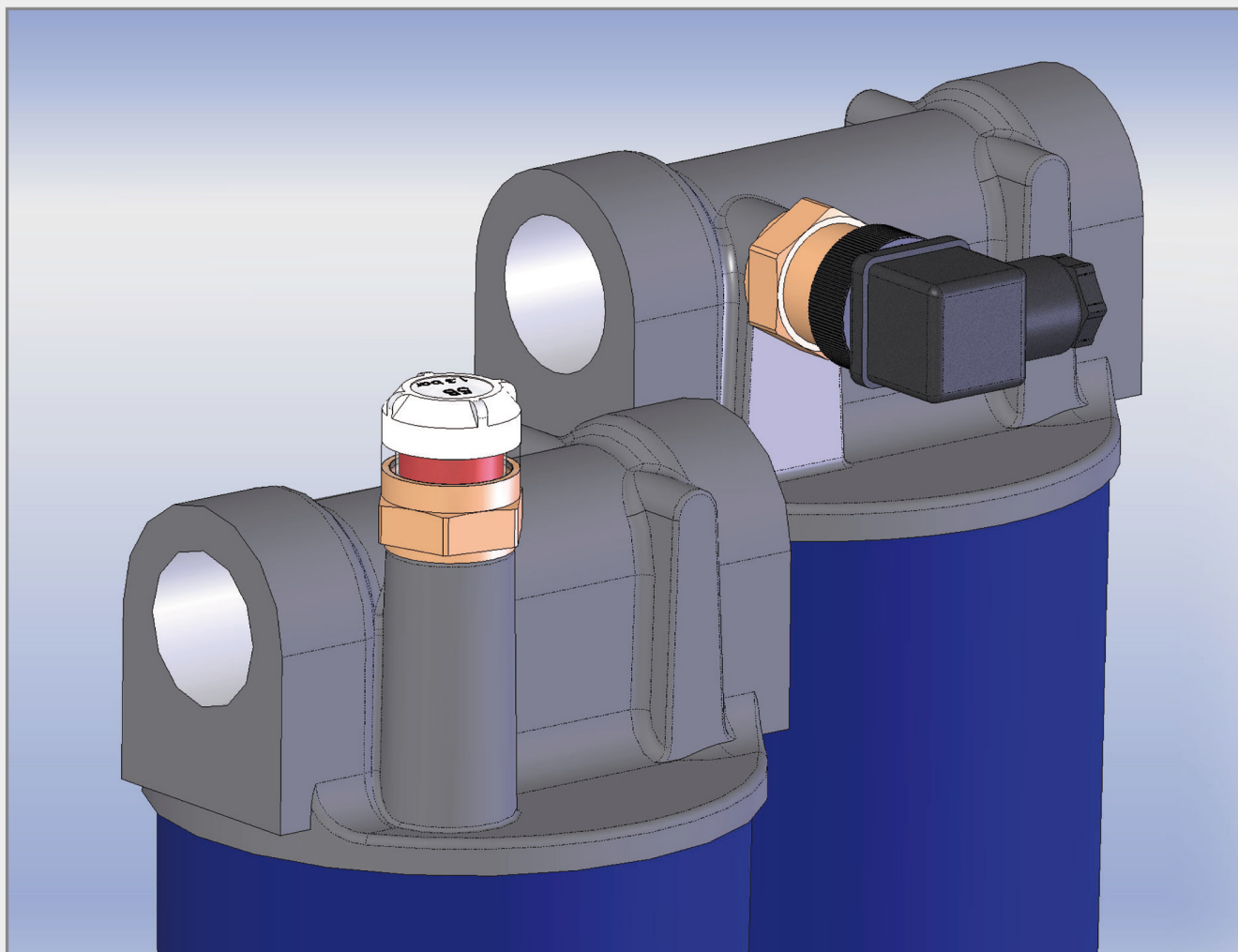
本体	黄铜
电触点	银
调节螺钉	内六角扳手1.5mm
液体最高温度	80°C至120°C (根据隔膜不同)
转换接触	SPDT (交流接触)
电气特性	5 (4) A / 14 Vdc
	4 (3) A / 30 Vdc
	5 (3) A / 125 Vac
	5 (1) A / 250 Vac
固定迟滞	约0.15bar
启动模式	1B
外部污染情况	正常
机械工作寿命	10 ⁶ 次
最大拧紧力矩	25 Nm
保护级别	IP65
连接器符合UNI EN 175301-803 (DIN43650)规定	
隔膜	1 NBR (油) 4 CR (气) (见12页)
重量	~ 140 gr

Case	Brass
Electric contacts	Silver
Regulation screw	Allen Key 1.5 mm
Max fluid temperature	80° to 120°C depending on diaphragm
Electrical condition	SPDT (exchange contact)
Electrical characteristics	5 (4) A / 14 Vdc
	4 (3) A / 30 Vdc
	5 (3) A / 125 Vac
	5 (1) A / 250 Vac
Fixed hysteresis	about 0.15 bar
Action type	1B
External pollution situation	normal
Mechanical working life	10 ⁶ operations
Tightening torque max	25 Nm
Protection degree	IP65
Diaphragms	1 NBR (oil) 4 CR (air) (see page 12)
Weight	~ 140 gr

请参考2012版《Euroswitch传感器目录》中的“总体说明”，以了解正确的使用方法。
For a correct use please refer to "General Notes" in the pressure switches Euroswitch catalogue, edition 2012.

堵塞指示器

Differential clogging indicators



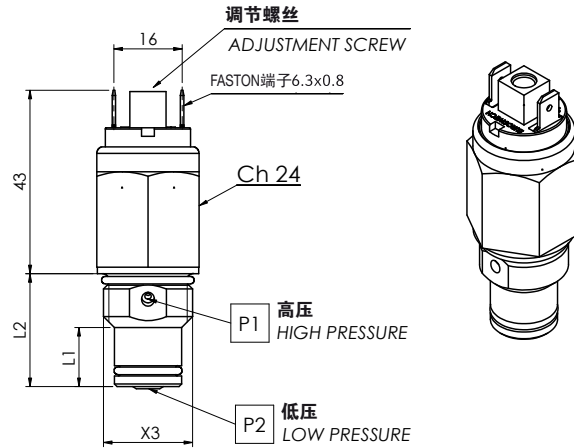
44

堵塞指示器通常用来检测液压系统中滤清器的堵塞情况。
标准机型开关压力值的调整范围为1-10bar。
最大压差为400bar，最大压力为700bar。
可视化信号、电子信号或者组合信号。
可根据客户的要求进行定制生产，例如任何型号的电缆和连接器都可以实现全面布线，与IP69K连接，与不同的程序进行连接，以及定制不锈钢外壳等。

*The differential clogging Indicators are normally used to detect filter clogging in hydraulic systems.
The switching value, for the standard model, can be adjusted in the differential pressure range 1-10 bar.
The maximum differential pressure is 400 bar with a maximum pressure of 700 bar.
Are available with visual, electrical or combined signal.
Customised version are manufactured on request, for example they can be supplied fully wired with any type of cables and connector with up to IP67, with different connection to the process, with stainless steel case, etc.*

80

电子压差堵塞指示器 Electrical differential pressure clogging indicator



如需定制版本（电缆、螺纹等的类型）
请联系Euroswitch公司

For customized version (type of cable,
thread, etc.) please contact Euroswitch.

Δ 压力 - Pressure	公差 - Tolerance
1.3 Bar	+/- 15%
2 Bar	+/- 10%
2.5 Bar	+/- 10%
3 Bar	+/- 10%
3.5 Bar	+/- 10%
5 Bar	+/- 10%
8 Bar	+/- 10%

可提供其他压力值产品 - Other differential pressure values are also available.

80型号的堵塞指示器可对过滤元件的电状态进行精确指示。

The model 80 clogging indicator provides an accurate electrical indication of the condition of the filter element.

液体类型	油
本体	黄铜
电触点	银
液体最高温度	100°C
电流状态	常开（自然颜色）/ 常闭（赭色）
最大电压	48 V
最大电流	0.5A
启动模式	1B
外部污染情况	正常
机械工作寿命	10 ⁶ 次
最大压差（P1-P2）	400 bar
最大压力（P1=P2）	700 bar
螺纹（X3）	1/2" Gas - M20x1.5, 可定制
最大扭力	35 Nm
保护级别	IP 00
带保护盖 3015001	IP 54（见13 - 15页）
带保护盖 3900001	IP 65（见13 - 15页）
带连接器 3900200	IP 65（见13 - 15页）
重量	~ 120 gr

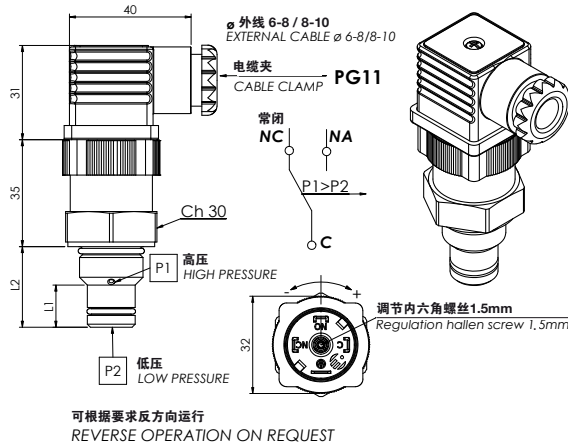
Working fluid	Oil
Case	Brass
Electric contact	Silver
Max fluid temperature	100°C
Electrical conditions	N.O. (natural color) N.C. (ochre)
Max switches voltage	48 V
Max switches current	0.5 A
Action type	1B
External pollution	normal
Mechanical working life	10 ⁶ operations
Max differential pressure (P1-P2)	400 bar
Max pressure (P1=P2)	700 bar
Thread (X3)	1/2" Gas - M20x1.5 others on request
Max torque	35 Nm
Protection degree	IP 00
with cover 3015001	IP 54 (see pages 13-15)
with cap 3900001	IP 65 (see pages 13-15)
with connector 3900200	IP 65 (see pages 13-15)
Approx. weight	~ 120 gr

产品的正确使用方法，请见Euroswitch公司10/2010版压力开关的一般注意事项。
For a correct use please refer to "General Notes" in the Euroswitch sensors catalogue, edition 10/2010.

81

电子压差堵塞指示器 Electrical differential pressure clogging indicator

 可要求 ATEX 版本
Version ATEX available on request



如需定制版本（电缆、螺纹等的类型）
请联系Euroswitch公司

For customized version (type of cable, thread, etc.) please contact Euroswitch.

压力 - Pressure	公差 - Tolerance
1.3 Bar	+/- 15%
2 Bar	+/- 10%
2.5 Bar	+/- 10%
3 Bar	+/- 10%
3.5 Bar	+/- 10%
5 Bar	+/- 10%
8 Bar	+/- 10%

可提供其他压力值产品 - Other differential pressure values are also available.

81型号堵塞指示器可以提供过滤元件电状态的精确指示。

除了符合UNI EN 175301-803(DIN43650)要求的标准连接器的IP65连接器外，还有一个可供选择的模拟连接器，该连接器采用绿色/红色LED作为本地视觉指示信号。

The **model 81 clogging indicator** provides an accurate electrical indication of the condition of the filter element.

In addition to the standard connector according to UNI EN 175301-803 (DIN43650) IP65 connector, there is an optional analogue connector that incorporates a green/red LED for local visual indication.

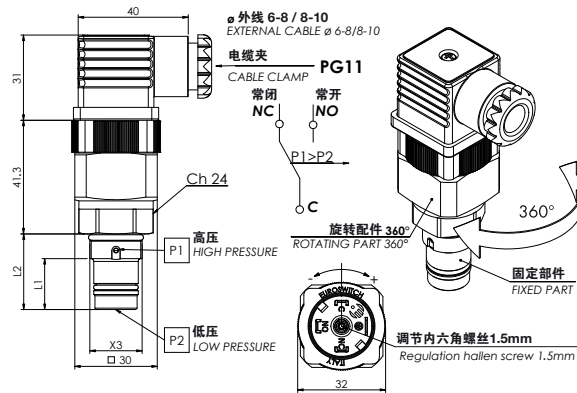
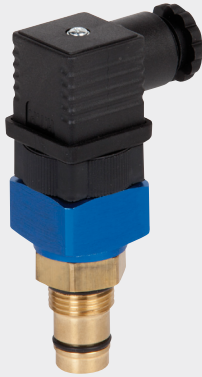
液体类型	油
本体	黄铜
电触点	银
液体最高温度	100°C
转换接触	SPDT（交流接触）
电气特性	5 (4) A / 14 Vdc
	4 (3) A / 30 Vdc
	5 (3) A / 125 Vac
	5 (1) A / 250 Vac
启动模式	1B
外部污染情况	正常
机械工作寿命	10 ⁵ 次
最大压差 (P1-P2)	400 bar
最大压力 (P1=P2)	700 bar
螺纹 (X3)	1/2" Gas - M20x1.5, 可定制
最大扭矩	35 Nm
连接器	IP65
连接器符合UNI EN 175301-803 (DIN43650)规定	
重量	~ 160 gr

Working fluid	Oil
Case	Brass
Electric contact	Silver
Max fluid temperature	100°C
Switching contacts	SPDT (exchange contact)
Electrical features	5 (4) A / 14 Vdc
	4 (3) A / 30 Vdc
	5 (3) A / 125 Vac
	5 (1) A / 250 Vac
Action type	1B
External pollution	normal
Mechanical working life	10 ⁵ operations
Max differential pressure (P1-P2)	400 bar
Max pressure (P1=P2)	700 bar
Thread (X3)	1/2" Gas - M20x1.5 others on request
Max torque	35 Nm
Connector	IP65
with connector according to UNI EN 175301-803 (DIN43650)	
Approx. weight	~ 160 gr

请参考2012版《Euroswitch传感器目录》中的“总体说明”，以了解正确的使用方法。
For a correct use please refer to "General Notes" in the pressure switches Euroswitch catalogue, edition 2012.

82

带旋转系统的电子压差堵塞指示器 Electrical differential pressure clogging indicator with rotating system



如需定制版本（电缆、螺纹等的类型）
请联系Euroswitch公司

For customized version (type of cable,
thread, etc.) please contact Euroswitch.

压力差 - Differential Pressure

2 Bar

2.5 Bar

3 Bar

3.5 Bar

5 Bar

8 Bar

可提供其他压力值产品 - Other differential pressure values are also available.

82型号的堵塞指示器可对过滤元件的电状态进行精确指示。除了符合UNI EN 175301-803(DIN43650)要求的标准连接器的IP65连接器外，还有一个可供选择的模拟连接器，该连接器采用绿色/红色LED作为本地视觉指示信号。

The model 82 clogging indicator provides an accurate electrical indication of the condition of the filter element. In addition to the standard connector according to UNI EN 175301-803 (DIN43650) IP65 connector, there is an optional analogue connector that incorporates a green/red LED for local visual indication.

液体类型	油
本体	黄铜
电触点	银
液体最高温度	100°C
转换接触	SPDT (交流接触)
电气特性	5 (4) A / 14 Vdc
	4 (3) A / 30 Vdc
	5 (3) A / 125 Vac
	5 (1) A / 250 Vac
启动模式	1B
外部污染情况	正常
机械工作寿命	10 ⁵ 次
最大压差 (P1-P2)	400 bar
最大压力 (P1=P2)	700 bar
螺纹 (X3)	1/2" Gas - M20x1.5, 可定制
最大扭力	35 Nm
连接器	IP65
连接器符合UNI EN 175301-803 (DIN43650)规定	
重量	~ 160 gr

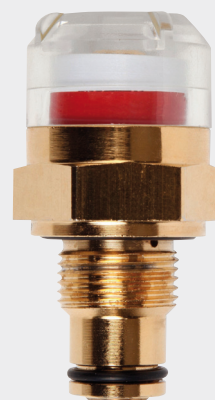
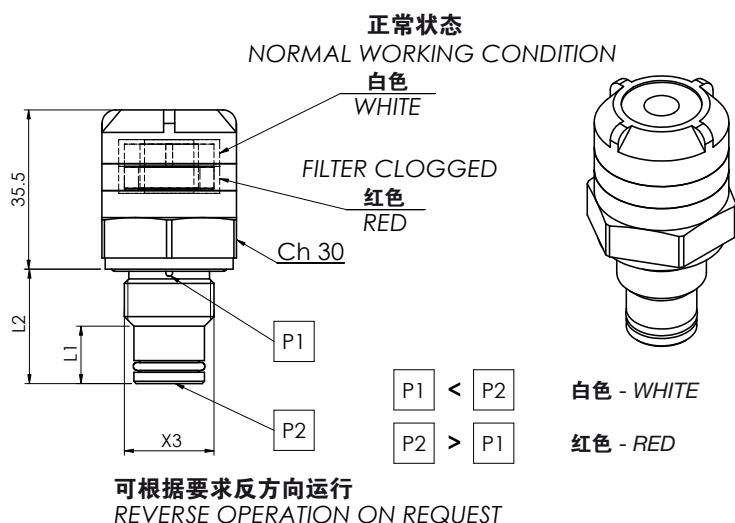
Working fluid	Oil
Case	Brass
Electric contact	Silver
Max fluid temperature	100°C
Switching contacts	SPDT (exchange contact)
Electrical features	5 (4) A / 14 Vdc
	4 (3) A / 30 Vdc
	5 (3) A / 125 Vac
	5 (1) A / 250 Vac
Action type	1B
External pollution	normal
Mechanical working life	10 ⁵ operations
Max differential pressure (P1-P2)	400 bar
Max pressure (P1=P2)	700 bar
Thread (X3)	1/2" Gas - M20x1.5 others on request
Max torque	35 Nm
Connector	IP65
with connector according to UNI EN 175301-803 (DIN43650)	
Approx. weight	~ 160 gr

请参考2012版《Euroswitch传感器目录》中的“总体说明”，以了解正确的使用方法。
For a correct use please refer to "General Notes" in the pressure switches Euroswitch catalogue, edition 2012.

86

可视压差堵塞指示器

Optical differential pressure clogging indicator



48

Δ 压力 - Pressure	公差 - Tolerance
1.2 Bar	+/- 15%
1.3 Bar	+/- 15%
2 Bar	+/- 10%
2.5 Bar	+/- 10%
5 Bar	+/- 10%
8 Bar	+/- 10%

可提供其他压力值产品 - Other differential pressure values are also available.

如需定制版本，请联系Euroswitch公司

For customized version please contact Euroswitch.

86型号产品可显示过滤的详细信息

The model 86 clogging indicator provides a visual indication of the filter element.

液体类型	油
机体	黄铜
盖子	高性能聚酰胺
视觉信号	白/红
机械寿命	10 ⁵ 次
螺纹 (X3)	M20x1.5 (可更改)
环境温度	-25°C / +85°C
液体温度	-10°C / +85°C
最大压差	400 bar
最大压力 (P1=P2)	700 bar
启动模式	磁性
外部污染情况	正常
最大拧紧力矩	35 Nm
启动速度	10bar / 15秒
重量	~ 150 gr

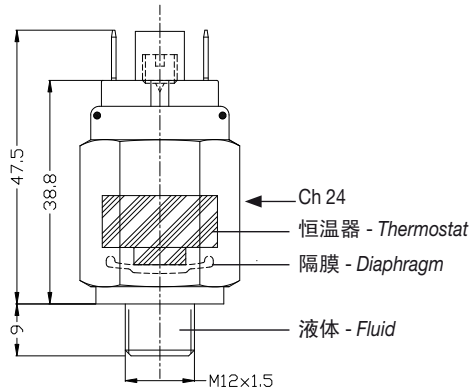
Working fluid	Oil
Case	Brass
Cap	high performance Polyamid
Visual signal	White/Red
Mechanical working life	10 ⁵ operations
Thread (X3)	M20x1.5 (other on request)
Ambient temperature	-25°C / +85°C
Fluid temperature	-10°C / +85°C
Max differential pressure	400 bar
Max pressure (P1=P2)	700 bar
Action type	magnetic
External pollution situation	Normal
Tightening torque max	35 Nm
Operating speed	10 bar / 15 sec.
Weight	~ 150 gr

请参考2012版《Euroswitch传感器目录》中的“总体说明”，以了解正确的使用方法。
For a correct use please refer to "General Notes" in the pressure switches Euroswitch catalogue, edition 2012.

700

温度压力开关 Thermo-pressure switch

- 欧洲知识产权
European Patent
- 美国知识产权第8,087,592号
U.S. Patent No. 8,087,592



P700型号由一个带有常开常闭触点和一个固定内置的双金属恒温器链接到开关常闭触点并平行连接在常开触点串联的可调膜片压力型开关。

该装置是用来衡量液体在同一时间时的温度和压力，并与设定值进行比较。

它适用于各类液压电路及液压过滤器，并避免低温启动的典型假警报。

Model P700 is comprised of an adjustable diaphragm pressure switch, with NO or NC contacts, and a built-in fixed-setting bimetal thermostat, the contact of which is linked to that of the pressure switch. NC contacts are connected in parallel, NO contacts in series.

The device is designed to measure, virtually simultaneously, the temperature and pressure of a fluid in relation to set values.

It is intended for use in hydraulic circuits of various kinds, and in hydraulic filters it avoids the false alarms typical of low-temperature start-up.

本体	黄铜
电触点	银镍
最大电压	48Vac - 可要求250Vac
最大电流	0.5 (0.2) A
液体最高温度	100°C
机械寿命	10 ⁵ 次(1-10 bar)
电气寿命	10 ⁵ 次
启动模式	1B
最大拧紧力矩	30 Nm
保护级别	IP00
带保护盖 3015001	IP54 (见13 - 15页)
带保护盖 3900001	IP65 (见13 - 15页)
带连接器 3900200	IP65 (见13 - 15页)
带树脂密封电缆	IP67 (见13 - 15页)
螺纹	M12x1.5 (需要其他类型时, 联系公司)
常开 (紫色) / 常闭 (蓝色)	
转换压力	Euroswitch公司设置 1-10bar
最高安全压力	30 bar
隔膜	HNBR (需要其他材料时, 联系公司)
常开/常闭温度开关	
启动温度	30° C +/-5K 差动10/15K
温度变化频率	1/2 K/min
重量	~ 75 gr

Case	Brass
Electrical contacts	Silver AgNi
Max switches voltage	48 Vac - 250 Vac on request
Max switches current	0.5 (0.2) A
Max fluid temperature	100°C
Mechanical working life	10 ⁵ (1-10 bar)
Electrical working life	10 ⁵
Action type	1B
Tightening torque max	30 Nm
Protection degree	IP00
with cover 3015001	IP54 (see pages 13-15)
with cap 390001	IP65 (see pages 13-15)
with connector 3900200	IP65 (see pages 13-15)
with cable sealed by resin	IP67 (see pages 13-15)
Thread	M12x1.5 (contact Euroswitch for other thread)
NO (BORDEAUX) / NC (BLUE) PRESSURE SWITCHES	
Switching pressure	Setting in Euroswitch 1-10 bar
Max overpressure limit	30 bar
Diaphragm	HNBR (contact Euroswitch for other material)
NO / NC TEMPERATURE SWITCHES	
Switching temperature :	30° C +/- 5K differential 10/15 K
Temperature change rate :	1/2 K/min
Weight	~ 75 gr

请参考2012版《Euroswitch传感器目录》中的“总体说明”，以了解正确的使用方法。
For a correct use please refer to "General Notes" in the pressure switches Euroswitch catalogue, edition 2012.

备注

Notes



EUROSWITCH

集团优势

MONT.EL集团专业从事配线系统、电动电器类设备和传感器的设计和生产。这是一个能够对可提供完整产品的外部资源整合的公司网络，可以进行综合设计或根据客户要求定制生产，我们致力于生产品质卓越、高效率、高精度和最可靠的产品。

MONT.EL集团依托于六个成员公司的专业技能、实际知识和专业知识！其中四家公司位于意大利境内，分别是**MONT.EL**（布线系统），**INTEA**（电子传动与控制设备的设计和开发），**EUROSWITCH**（液位、压力、温度和旋转传感器），以及**AME**（电气设备），另外两家位于罗马尼亚境内，分别是**SIRE**（布线系统和机电组件的生产和装配）和**TECHTRON**（电子设备）。



MONT.EL

电气和电子设备
electric and electronic equipment



EUROSWITCH

水位、压力、温度传感器
level, pressure, temperature sensors



INTEA ENGINEERING

电子应用技术
applied electronic technologies



AME

电气设备
electrical equipment



SIRE

布线及装配
wirings, assembly



TECHTRON

电子设备
electronic equipments

the group's strengths

The **MONT.EL Group** specialises in the design and manufacture of wiring systems, and electric and electronic equipment and sensors. It is a fully integrated network of companies dealing with advanced outsourcing that can offer a complete product, which is co-engineered or made to customer drawing, and features superior quality, efficiency, accuracy and maximum reliability.

The **MONT.EL Group** relies on the professional skill, know-how and expertise of the six member companies. Four are based in Italy - **MONT.EL** (wiring systems), **INTEA** (design and development of electronic drive and control equipment), **EUROSWITCH** (level, pressure, temperature and rotation sensors), and **AME** (electrical equipment) and two in Romania - **SIRE** (wiring systems and electro-mechanical assemblies) and **TECHTRON** (electronic equipment).



EUROSWITCH

Via Provinciale, 15
25057 Sale Marasino (BS) Italy
Tel. +39 030 986549 - Fax +39 030 9824202
e-mail: info@euroswitch.it
www.euroswitch.it